

# Receiver

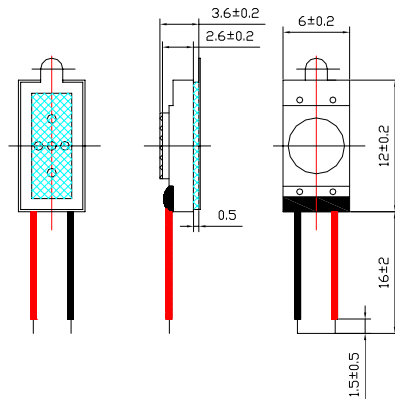
SM0612R105L



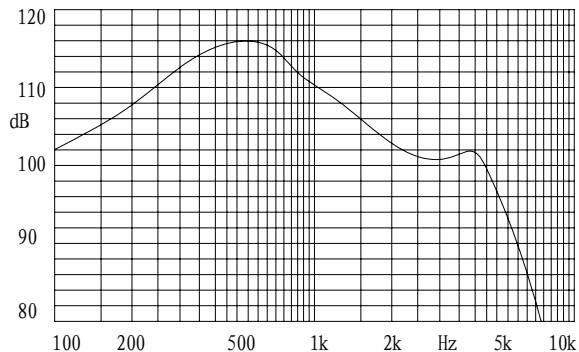
## DIMENSIONS

UNIT: mm

Tolerance:  $\pm 0.5$ mm



## FREQUENCY RESPONSE



## SPECIFICATIONS:

Dimension(mm)	6*12*H2.6
Input Power(mW)	10
Max. Input Power(W)	20
Impedance( $\Omega$ )	$32 \pm 15\%$ @1kHz
S.P.L. (dB)	$113 \pm 3$ dB(1kHz/179mV)
Frequency Rang (Hz)	300-3400
Operating temp. ( $^{\circ}$ C)	-20~+60
Weight (g)	1.0
Material	SPCC