

Receiver

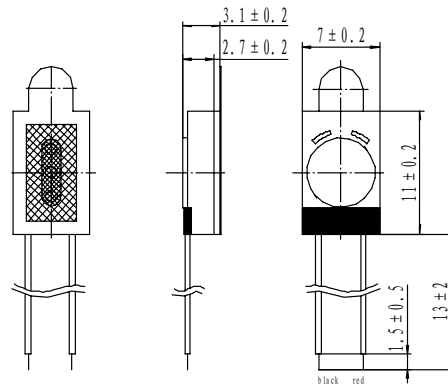
SM0711BR100L



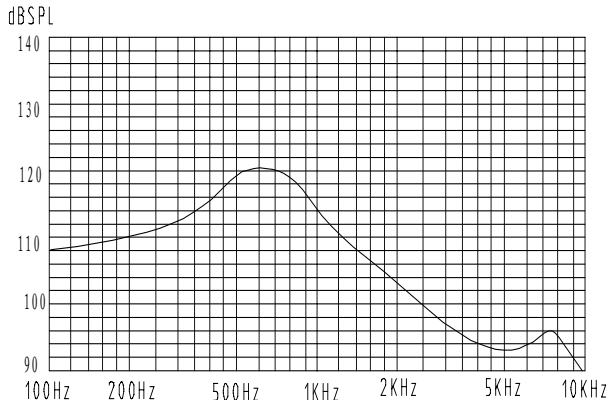
DIMENSIONS

UNIT: mm

Tolerance: $\pm 0.5\text{mm}$



FREQUENCY RESPONSE



SPECIFICATIONS:

Dimension(mm)	7*11*H2.7
Input Power(mW)	10
Max. Input Power(W)	20
Impedance(Ω)	32 \pm 15%@1kHz
S.P.L. (dB)	115 \pm 3dB(1kHz/179mV)
Frequency Rang (Hz)	300-3400
Operating temp. ($^{\circ}\text{C}$)	-20~+60
Weight (g)	1.0
Material	SPCC