

Receiver

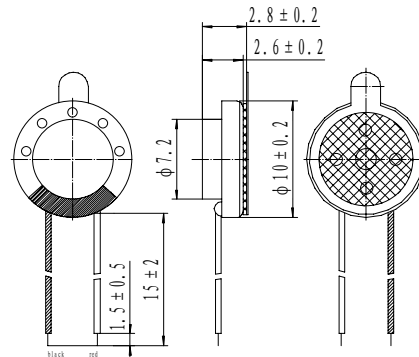
SM10R125L



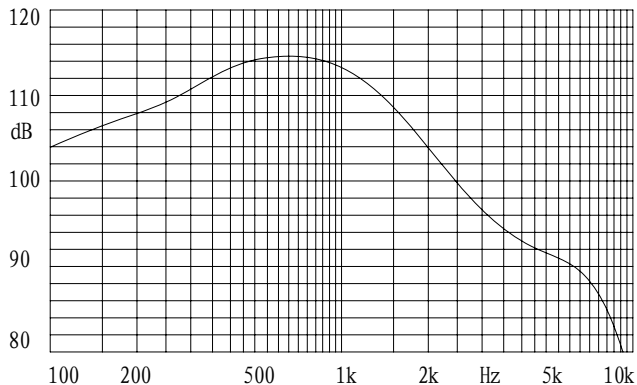
DIMENSIONS

UNIT: mm

Tolerance: ± 0.5 mm



FREQUENCY RESPONSE



SPECIFICATIONS:

Dimension(mm)	$\Phi 10 * H2.6$
Input Power(mW)	10
Max. Input Power(W)	20
Impedance(Ω)	$32 \pm 15\% @ 1\text{kHz}$
S.P.L. (dB)	$113 \pm 3\text{dB}(1\text{kHz}/179\text{mV})$
Frequency Rang (Hz)	300-3400
Operating temp. ($^{\circ}\text{C}$)	-20~+60
Weight (g)	1.0
Material	SPCC