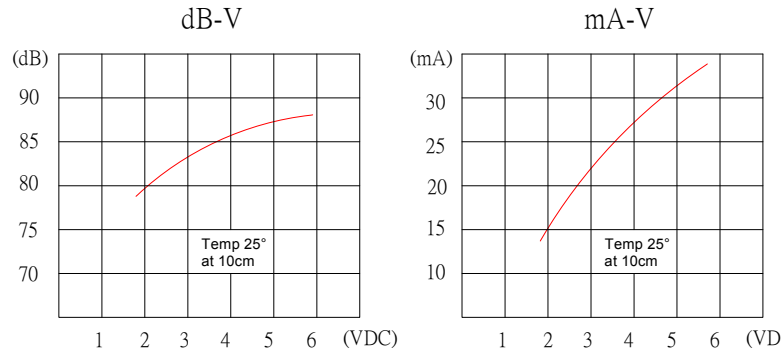


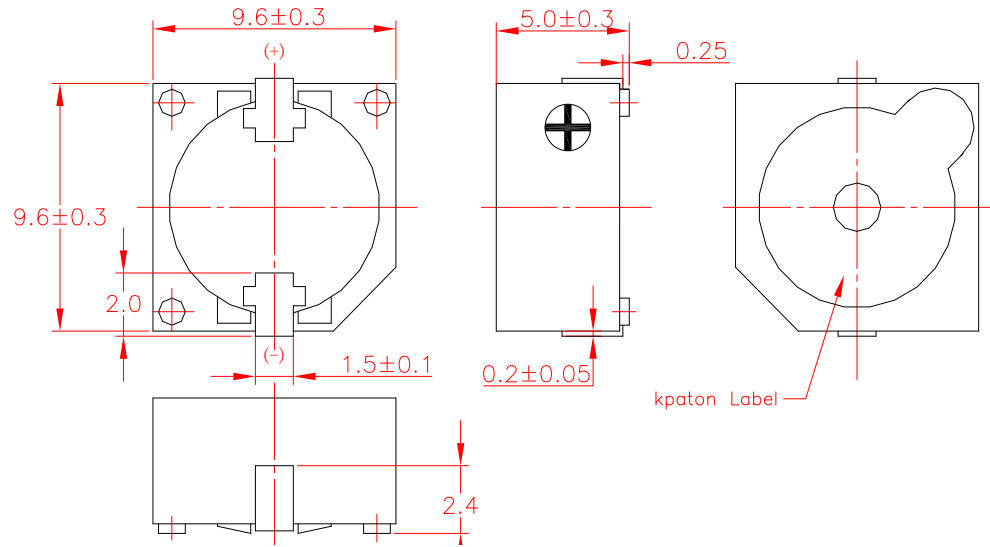
SPECIFICATIONS		
Rated Voltage	(VDC)	3.0
Operating Voltage	(VDC)	2~5
Rated Current	(mA)	MAX.30
Sound Output at 10cm	(dBA)	MIN. 80
Resonant Frequency	(Hz)	2700±500
Operating Temperature	(°C)	-25~+70
Storage Temperature	(°C)	-30~+80
Housing material		PPS
Weight	(g)	1.5

REVISION HISTORY			
LTR	DESCRIPTION	DATE	APPROVED

**CHARACTERISTICS**



**DIMENSION:**



**NOTES:**

1. ALL DIMENSIONS ARE IN MILLIMETERS.
2. SPECIFICATIONS SUBJECT TO CHANGE OR WITHDRAWAL WITHOUT NOTICE.
3. THIS PART IS ROHS 2002/95/EC COMPLIANT.

UNLESS OTHERWISE SPECIFIED	<b>SIZE</b>  <b>A4</b>	Designed by	Date	Checked by	Date	Approved by	Date
DIMENSIONS ARE IN MILLIMETERS		Magnetic Transducer		<b>MCW969650-3V-2700-F</b>			
TOLERANCES ARE ±0.5 AND ANGLES ARE ±3°				<b>Changzhou Shenghui Electronic Co.,Ltd</b> Tel:+86 519 85118108 Fax:+86 519 85108596 sales@shenghui.com http://www.shenghui.com			