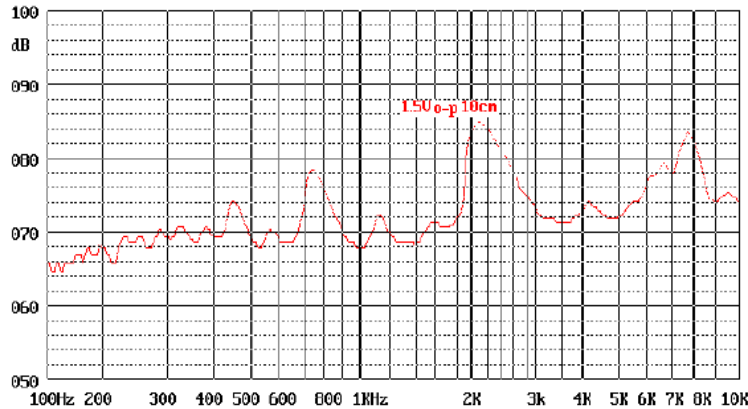


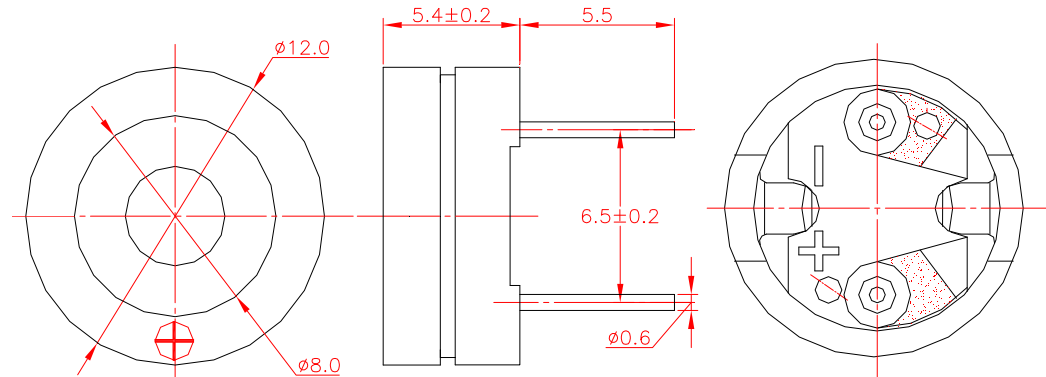
SPECIFICATIONS		
Rated Voltage	(Vo-p)	1.5
Operating Voltage	(Vo-p)	1~2
Rated Current	(mA)	MAX.30
Sound Output at 10cm	(dBA)	MIN.78
Coil Resistance	(Ω)	16 \pm 2
Resonant Frequency	(Hz)	2048
Operating Temperature	($^{\circ}$ C)	-20~+60
Storage Temperature	($^{\circ}$ C)	-30~+70
Housing material		ABS
Weight	(g)	1.2

REVISION HISTORY			
LTR	DESCRIPTION	DATE	APPROVED

CHARACTERISTICS:



DIMENSION:



UNIT:mm \pm 0.5

NOTES:

- 1.ALL DIMENSIONS ARE IN MILLIMETERS.
- 2.SPECIFICATIONS SUBJECT TO CHANGE OR WITHDRAWL WITHOUT NOTICE.
- 3.THIS PART IS ROHS 2002/95/EC COMPLIANT.

UNLESS OTHERWISE SPECIFIED	DESIGNED BY	DATE	CHECKED BY	DATE	APPROVED BY	DATE
DIMENSIONS ARE IN MILLIMETERS	SIZE A4	Magnetic Transduce		MD12054-16R(1.5V)-2048-F		
TOLERANCES ARE \pm 0.5 AND ANGLES ARE \pm 3 $^{\circ}$				Changzhou Shenghui Electronic Co.,Ltd Tel:+86 519 85118108 Fax:+86 519 85108596 sales@shenghui.com http://www.shenghui.com		