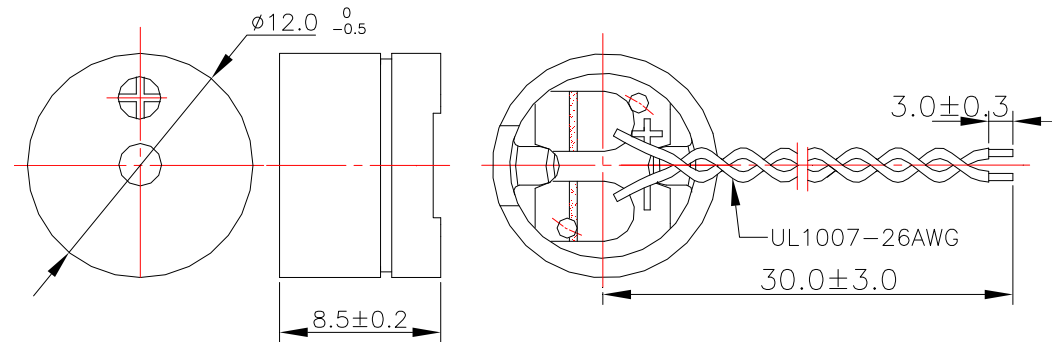


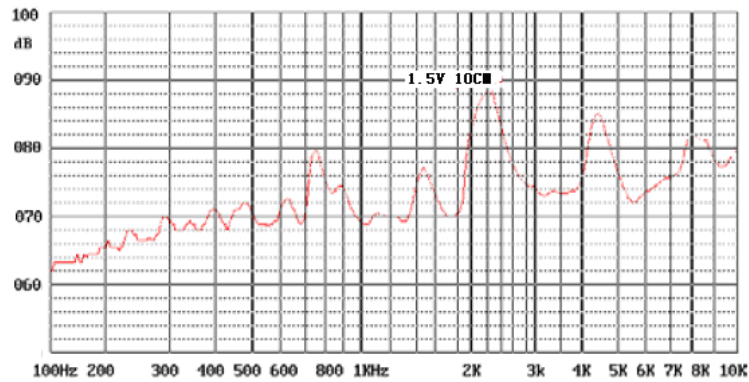
SPECIFICATIONS		
Rated Voltage	(Vo-p)	1.5
Operating Voltage	(Vo-p)	1~2
Rated Current	(mA)	MAX.30
Sound Output at 10cm	(dBA)	MIN.85
Coil Resistance	(Ω)	16 \pm 2
Resonant Frequency	(Hz)	2048
Operating Temperature	($^{\circ}$ C)	-20~+60
Storage Temperature	($^{\circ}$ C)	-30~+70
Housing material		ABS
Weight	(g)	1.4

REVISION HISTORY			
LTR	DESCRIPTION	DATE	APPROVED

DIMENSION:



CHARACTERISTICS:



NOTES:

1. ALL DIMENSIONS ARE IN MILLIMETERS.
2. SPECIFICATIONS SUBJECT TO CHANGE OR WITHDRAWAL WITHOUT NOTICE.
3. THIS PART IS ROHS 2002/95/EC COMPLIANT.

UNLESS OTHERWISE SPECIFIED	SIZE	Designed by	Date	Checked by	Date	Approved by	Date
		Magnetic Transduce		MD12085W30-16R(1.5V)-2048-F			
DIMENSIONS ARE IN MILLIMETERS	A4			Changzhou Shenghui Electronic Co.,Ltd Tel:+86 519 85118108 Fax:+86 519 85108596 sales@shenghui.com http://www.shenghui.com			
TOLERANCES ARE \pm 0.5 AND ANGLES ARE \pm 3 $^{\circ}$							