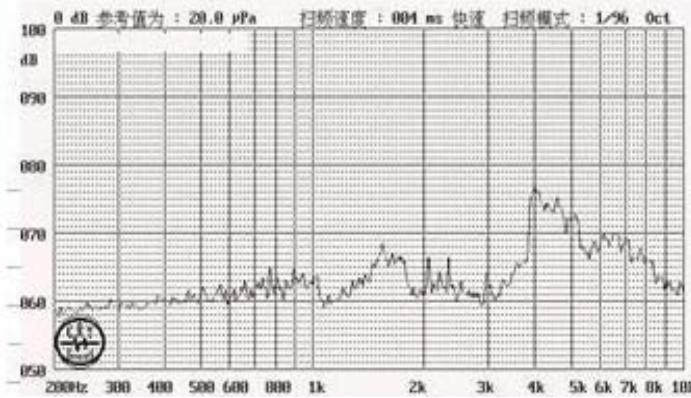


SPECIFICATIONS		
Rated Voltage	(Vo-p)	3.0
Operating Voltage	(Vo-p)	2~4
Rated Current	(mA)	MAX.110
Sound Output at 10cm	(dBA)	MIN.72
Coil Resistance	(Ω)	12±2
Resonant Frequency	(Hz)	4000
Operating Temperature	(°C)	-30~+70
Storage Temperature	(°C)	-40~+80
Housing material		LCP
Weight	(g)	0.5

REVISION HISTORY			
LTR	DESCRIPTION	DATE	APPROVED

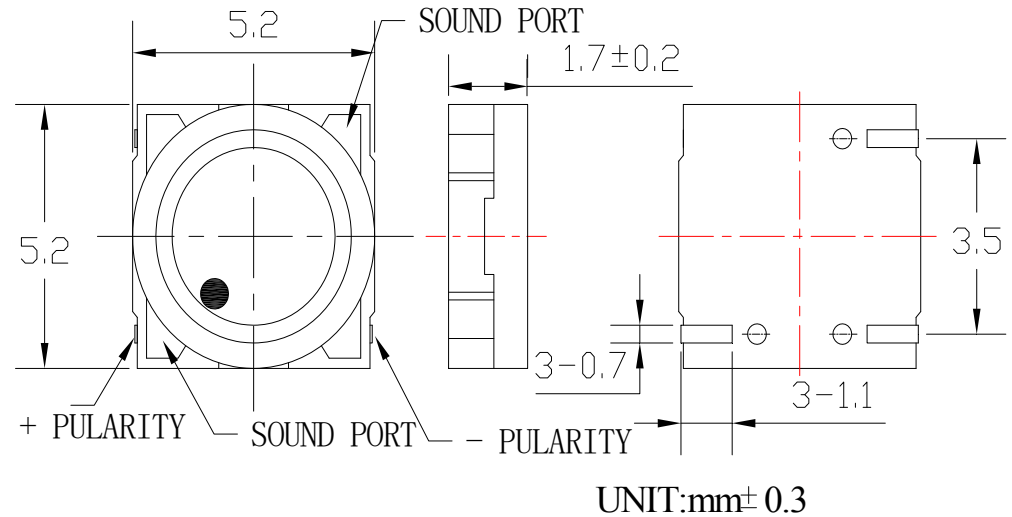
CHARACTERISTICS



NOTES:

- 1.ALL DIMENSIONS ARE IN MILLIMETERS.
- 2.SPECIFICATIONS SUBJECT TO CHANGE OR WITHDRAWL WITHOUT NOTICE.
- 3.THIS PART IS ROHS 2002/95/EC COMPLIANT.

DIMENSION:



UNLESS OTHERWISE SPECIFIED	SIZE	Designed by	Date	Checked by	Date	Approved by	Date
		Magnetic Transducer		ME505017-12R(3V)-4000-F			
DIMENSIONS ARE IN MILLIMETERS	A4			Changzhou Shenghui Electronic Co.,Ltd Tel:+86 519 85118108 Fax:+86 519 85108596 sales@shenghui.com http://www.shenghui.com			
TOLERANCES ARE ±0.5 AND ANGLES ARE±3°							