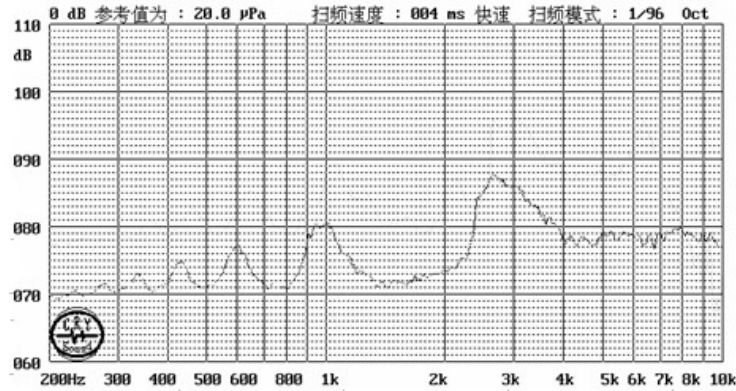


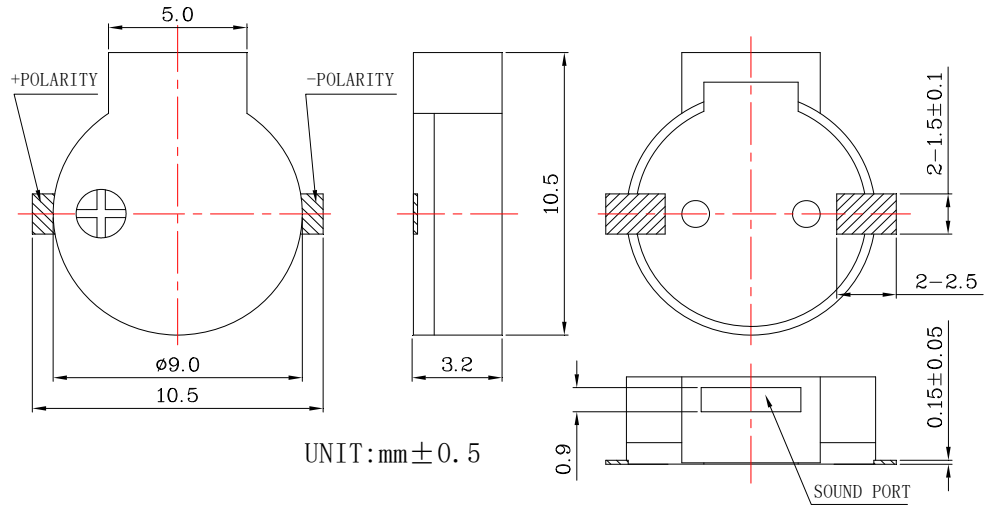
SPECIFICATIONS		
Rated Voltage	(Vo-p)	3.6
Operating Voltage	(Vo-p)	2.5~4.5
Rated Current	(mA)	MAX.100
Sound Output at 10cm	(dBA)	MIN.82
Coil Resistance	(Ω)	16±2
Resonant Frequency	(Hz)	2731
Operating Temperature	(°C)	-30~+70
Storage Temperature	(°C)	-40~+80
Housing material		LCP
Weight	(g)	0.7

REVISION HISTORY			
LTR	DESCRIPTION	DATE	APPROVED

**CHARACTERISTICS**



**DIMENSION:**



**NOTES:**

1. ALL DIMENSIONS ARE IN MILLIMETERS.
2. SPECIFICATIONS SUBJECT TO CHANGE OR WITHDRAWAL WITHOUT NOTICE.
3. THIS PART IS ROHS 2002/95/EC COMPLIANT.

UNLESS OTHERWISE SPECIFIED	DESIGNED BY	DATE	CHECKED BY	DATE	APPROVED BY	DATE
DIMENSIONS ARE IN MILLIMETERS	<b>SIZE</b> <b>A4</b>	<b>Magnetic Transducer</b>		<b>MES9032SM-16R(3.6V)-2731-F</b>		
TOLERANCES ARE ±0.5 AND ANGLES ARE ±3°				<b>Changzhou Shenghui Electronic Co.,Ltd</b> Tel:+86 519 85118108 Fax:+86 519 85108596 sales@shenghui.com http://www.shenghui.com		