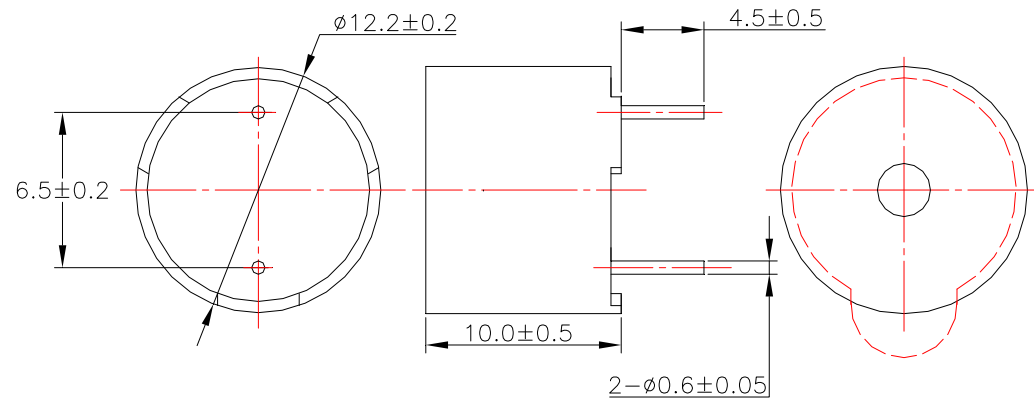


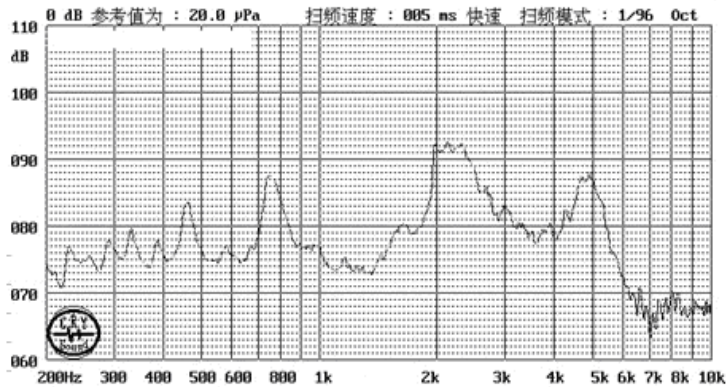
SPECIFICATIONS		
Rated Voltage	(Vo-p)	5.0
Operating Voltage	(Vo-p)	4~8
Rated Current	(mA)	MAX.60
Sound Output at 10cm	(dBA)	MIN.85
Coil Resistance	(Ω)	45 \pm 5
Resonant Frequency	(Hz)	2400
Operating Temperature	($^{\circ}$ C)	-30~+70
Storage Temperature	($^{\circ}$ C)	-40~+80
Housing material		PBT/NORLY
Weight	(g)	2.1

REVISION HISTORY			
LTR	DESCRIPTION	DATE	APPROVED

DIMENSION:



CHARACTERISTICS



NOTES:

1. ALL DIMENSIONS ARE IN MILLIMETERS.
2. SPECIFICATIONS SUBJECT TO CHANGE OR WITHDRAWAL WITHOUT NOTICE.
3. THIS PART IS ROHS 2002/95/EC COMPLIANT.

UNLESS OTHERWISE SPECIFIED	DESIGNED BY	DATE	CHECKED BY	DATE	APPROVED BY	DATE
DIMENSIONS ARE IN MILLIMETERS	SIZE A4	Magnetic Transduce		MW12100-45R(5V)-2400-F		
TOLERANCES ARE \pm 0.5 AND ANGLES ARE \pm 3 $^{\circ}$				Changzhou Shenghui Electronic Co.,Ltd Tel:+86 519 85118108 Fax:+86 519 85108596 sales@shenghui.com http://www.shenghui.com		