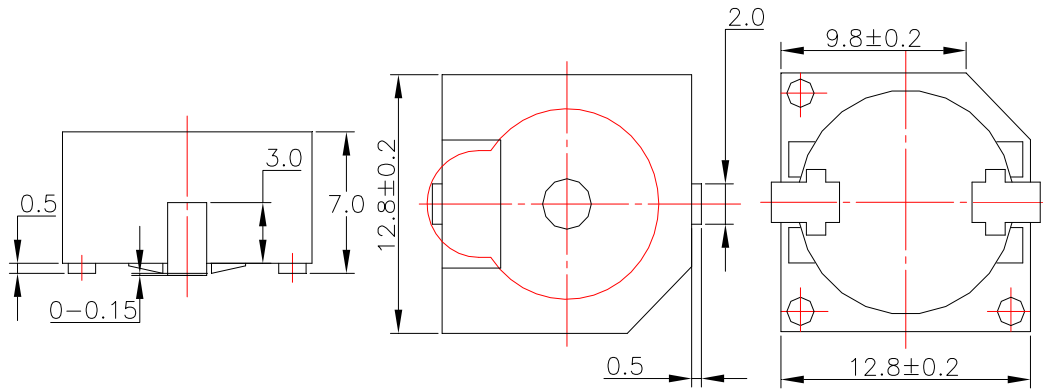


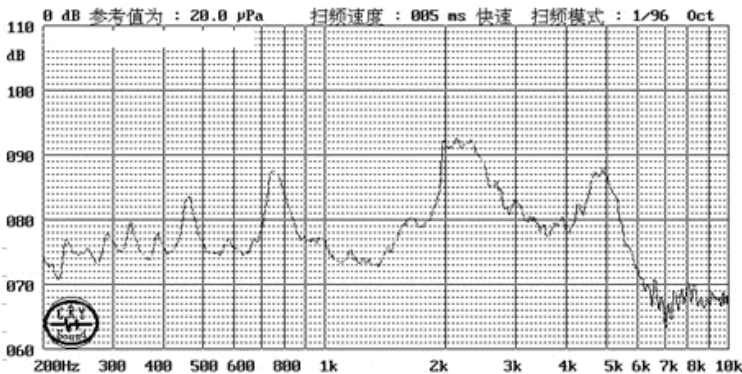
SPECIFICATIONS		
Rated Voltage	(Vo-p)	5.0
Operating Voltage	(Vo-p)	4~7
Rated Current	(mA)	MAX.60
Sound Output at 10cm	(dBA)	MIN.85
Coil Resistance	(Ω)	45±5
Resonant Frequency	(Hz)	2400
Operating Temperature	(°C)	-30~+70
Storage Temperature	(°C)	-40~+80
Housing material		PPS
Weight	(g)	2.0

REVISION HISTORY			
LTR	DESCRIPTION	DATE	APPROVED

**DIMENSION:**



**CHARACTERISTICS**



**NOTES:**

- 1.ALL DIMENSIONS ARE IN MILLIMETERS.
- 2.SPECIFICATIONS SUBJECT TO CHANGE OR WITHDRAWL WITHOUT NOTICE.
- 3.THIS PART IS ROHS 2002/95/EC COMPLIANT.

UNLESS OTHERWISE SPECIFIED	DESIGNED BY	DATE	CHECKED BY	DATE	APPROVED BY	DATE
DIMENSIONS ARE IN MILLIMETERS	<b>SIZE</b> <b>A4</b>	<b>Magnetic Transducer</b>		<b>MW1313065-45R(5V)-2400-F</b>		
TOLERANCES ARE ±0.5 AND ANGLES ARE ±3°				<b>Changzhou Shenghui Electronic Co.,Ltd</b> Tel:+86 519 85118108 Fax:+86 519 85108596 sales@shenghui.com http://www.shenghui.com		