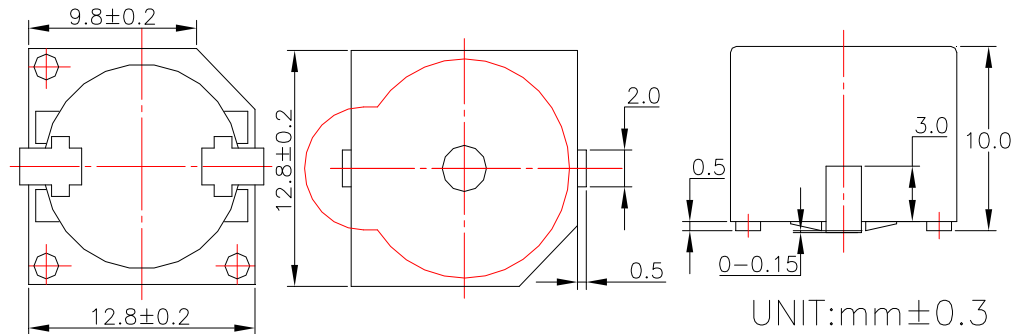


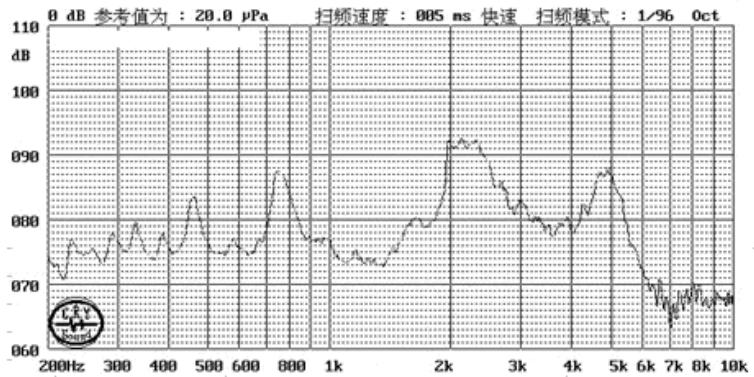
| SPECIFICATIONS | | |
|-----------------------|--------|---------|
| Rated Voltage | (Vo-p) | 1.5 |
| Operating Voltage | (Vo-p) | 1~2 |
| Rated Current | (mA) | MAX.30 |
| Sound Output at 10cm | (dBA) | MIN.85 |
| Coil Resistance | (Ω) | 16±2 |
| Resonant Frequency | (Hz) | 2400 |
| Operating Temperature | (°C) | -30~+70 |
| Storage Temperature | (°C) | -40~+80 |
| Housing material | | PPS |
| Weight | (g) | 2.5 |

| REVISION HISTORY | | | |
|------------------|-------------|------|----------|
| LTR | DESCRIPTION | DATE | APPROVED |
| | | | |
| | | | |
| | | | |

DIMENSION:



CHARACTERISTICS



NOTES:

- 1.ALL DIMENSIONS ARE IN MILLIMETERS.
- 2.SPECIFICATIONS SUBJECT TO CHANGE OR WITHDRAWL WITHOUT NOTICE.
- 3.THIS PART IS ROHS 2002/95/EC COMPLIANT.

| | | | | | | |
|--|-------------------|----------------------------|------------|---|-------------|------|
| UNLESS OTHERWISE SPECIFIED | DESIGNED BY | DATE | CHECKED BY | DATE | APPROVED BY | DATE |
| | | | | | | |
| DIMENSIONS ARE IN MILLIMETERS | SIZE A4 | Magnetic TRANSDUCER | | MW1313100-16R(1.5V)-2400-F | | |
| TOLERANCES ARE ±0.5 AND ANGLES ARE ±3° | | | | Changzhou Shenghui Electronic Co.,Ltd Tel:+86 519 85118108 Fax:+86 519 85108596 sales@shenghui.com http://www.shenghui.com | | |