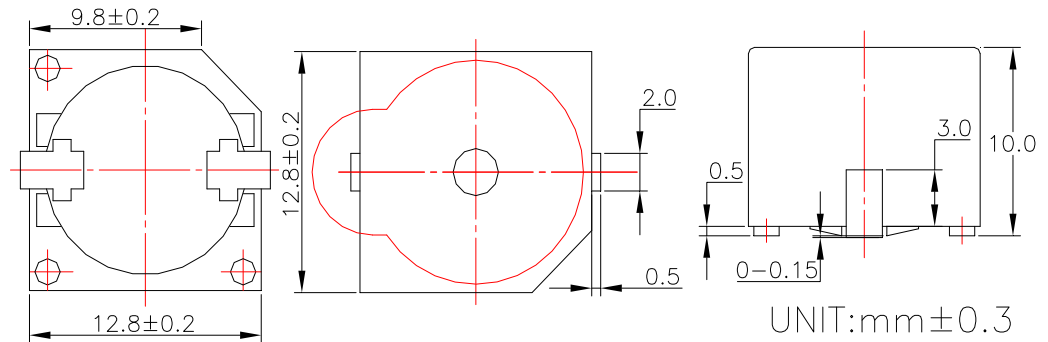


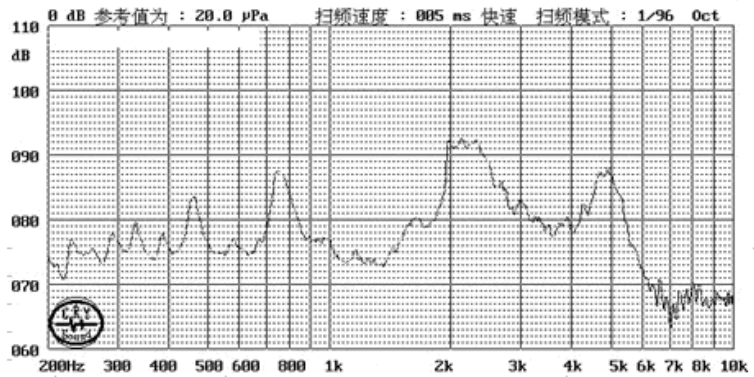
SPECIFICATIONS		
Rated Voltage	(Vo-p)	5.0
Operating Voltage	(Vo-p)	4~7
Rated Current	(mA)	MAX.60
Sound Output at 10cm	(dBA)	MIN.85
Coil Resistance	(Ω)	45±5
Resonant Frequency	(Hz)	2400
Operating Temperature	(°C)	-30~+70
Storage Temperature	(°C)	-40~+80
Housing material		PPS
Weight	(g)	2.0

REVISION HISTORY			
LTR	DESCRIPTION	DATE	APPROVED

DIMENSION:



CHARACTERISTICS



NOTES:

- 1.ALL DIMENSIONS ARE IN MILLIMETERS.
- 2.SPECIFICATIONS SUBJECT TO CHANGE OR WITHDRAWL WITHOUT NOTICE.
- 3.THIS PART IS ROHS 2002/95/EC COMPLIANT.

UNLESS OTHERWISE SPECIFIED	SIZE	Designed by	Date	Checked by	Date	Approved by	Date
		Magnetic Transducer		MW1313100-45R(5V)-2400-F			
DIMENSIONS ARE IN MILLIMETERS	A4			Changzhou Shenghui Electronic Co.,Ltd Tel:+86 519 85118108 Fax:+86 519 85108596 sales@shenghui.com http://www.shenghui.com			
TOLERANCES ARE ±0.5 AND ANGLES ARE±3°							