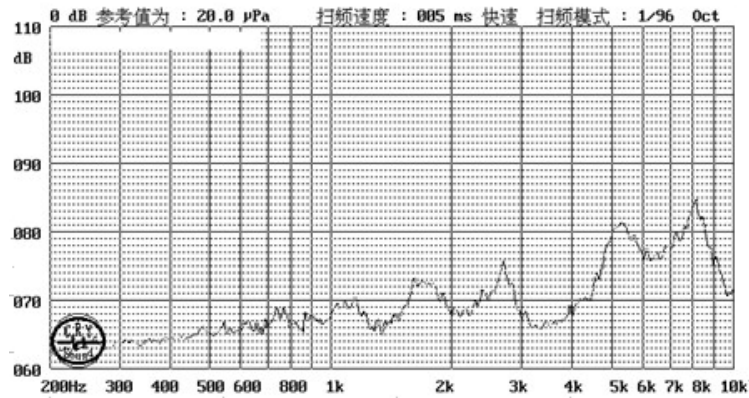


| SPECIFICATIONS | | |
|----------------------------|--------|------------|
| Rated Voltage | (Vo-p) | 5.0 |
| Operating Voltage | (Vo-p) | 2~25 |
| Rated Current | (mA) | MAX.3.0 |
| Sound Output at 10cm | (dBA) | MIN.75 |
| Static Capacitance At 1KHz | (pF) | 11.000±30% |
| Resonant Frequency | (Hz) | 5200 |
| Operating Temperature | (°C) | -30~+70 |
| Storage Temperature | (°C) | -40~+80 |
| Housing material | | LCP |
| Weight | (g) | 0.3 |

| REVISION HISTORY | | | |
|------------------|-------------|------|----------|
| LTR | DESCRIPTION | DATE | APPROVED |
| | | | |
| | | | |
| | | | |

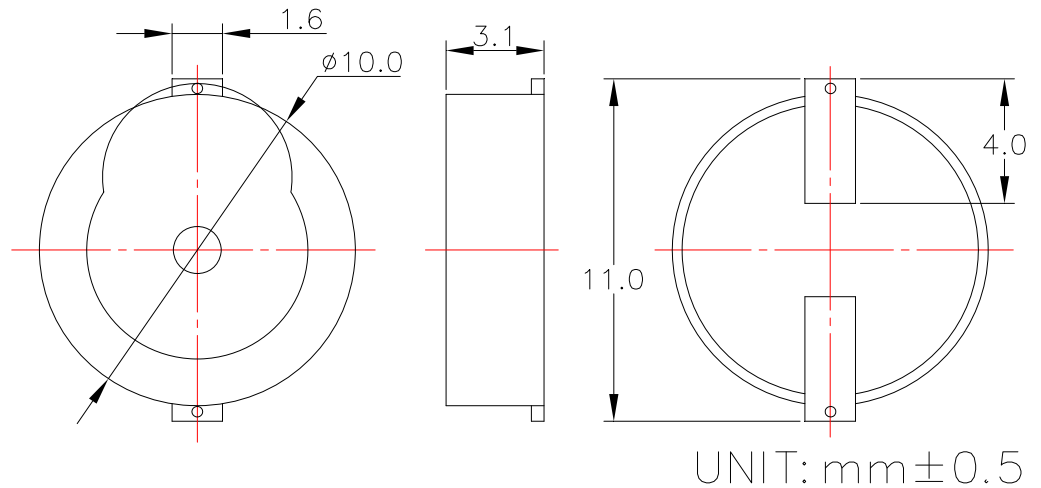
CHARACTERISTICS



NOTES:

- 1.ALL DIMENSIONS ARE IN MILLIMETERS.
- 2.SPECIFICATIONS SUBJECT TO CHANGE OR WITHDRAWAL WITHOUT NOTICE.
- 3.THIS PART IS ROHS 2002/95/EC COMPLIANT.

DIMENSION:



| | | | | | | |
|----------------------------------------|--------------------------|---------------------|------------|-----------------------------------------------------------------------------------------------------------------------------------------|-------------|------|
| UNLESS OTHERWISE SPECIFIED | DESIGNED BY | DATE | CHECKED BY | DATE | APPROVED BY | DATE |
| | | | | | | |
| DIMENSIONS ARE IN MILLIMETERS | SIZE A4 | Piezo Buzzer | | P10030SM-11C(5V)-5200-F | | |
| TOLERANCES ARE ±0.5 AND ANGLES ARE ±3° | | | | Changzhou Shenghui Electronic Co.,Ltd Tel:+86 519 85118108 Fax:+86 519 85108596 sales@shenghui.com http://www.shenghui.com | | |