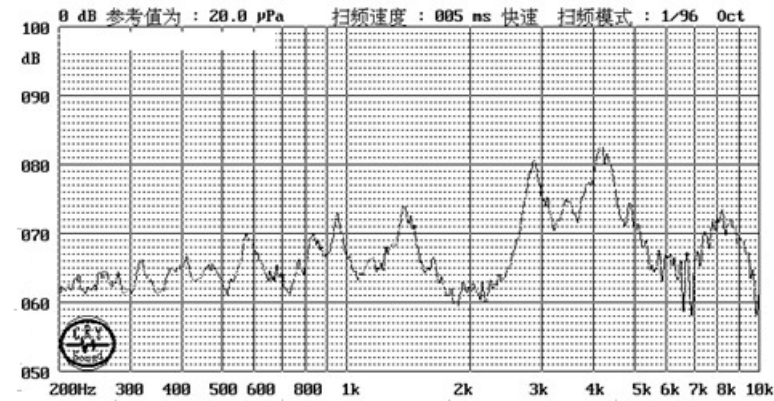


SPECIFICATIONS		
Rated Voltage	(Vo-p)	5.0
Operating Voltage	(Vo-p)	2~25
Rated Current	(mA)	MAX.3.0
Sound Output at 10cm	(dBA)	MIN.75
Static Capacitance At 1KHz	(pF)	16.000±30%
Resonant Frequency	(Hz)	4100
Operating Temperature	(°C)	-30~+70
Storage Temperature	(°C)	-40~+80
Housing material		LCP
Weight	(g)	0.5

REVISION HISTORY			
LTR	DESCRIPTION	DATE	APPROVED

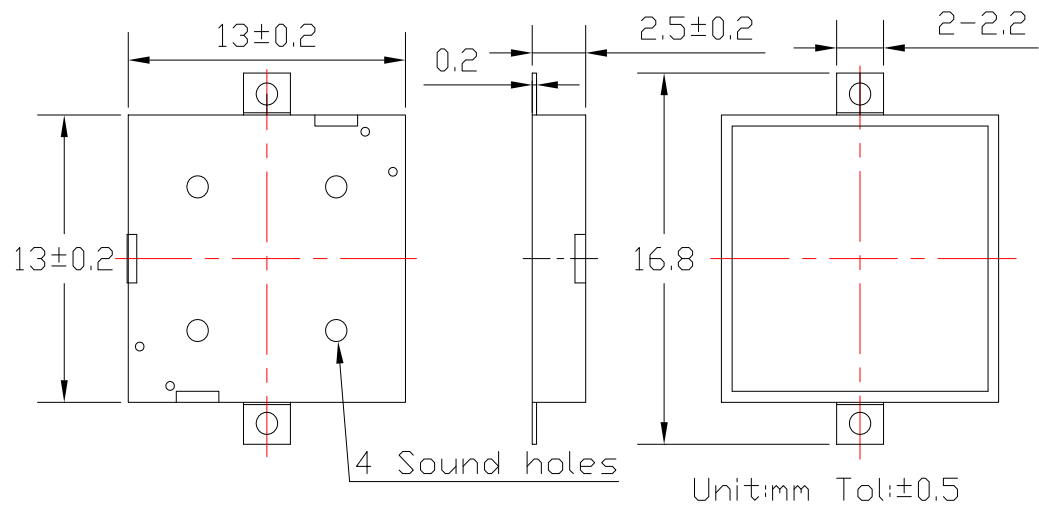
CHARACTERISTICS



NOTES:

1. ALL DIMENSIONS ARE IN MILLIMETERS.
2. SPECIFICATIONS SUBJECT TO CHANGE OR WITHDRAWAL WITHOUT NOTICE.
3. THIS PART IS ROHS 2002/95/EC COMPLIANT.

DIMENSION:



UNLESS OTHERWISE SPECIFIED	DESIGNED BY	DATE	CHECKED BY	DATE	APPROVED BY	DATE
DIMENSIONS ARE IN MILLIMETERS	SIZE A4	Piezo Buzzer		P1313025-16C(5V)-4100-C-F		
TOLERANCES ARE ±0.5 AND ANGLES ARE ±3°				Changzhou Shenghui Electronic Co.,Ltd Tel:+86 519 85118108 Fax:+86 519 85108596 sales@shenghui.com http://www.shenghui.com		