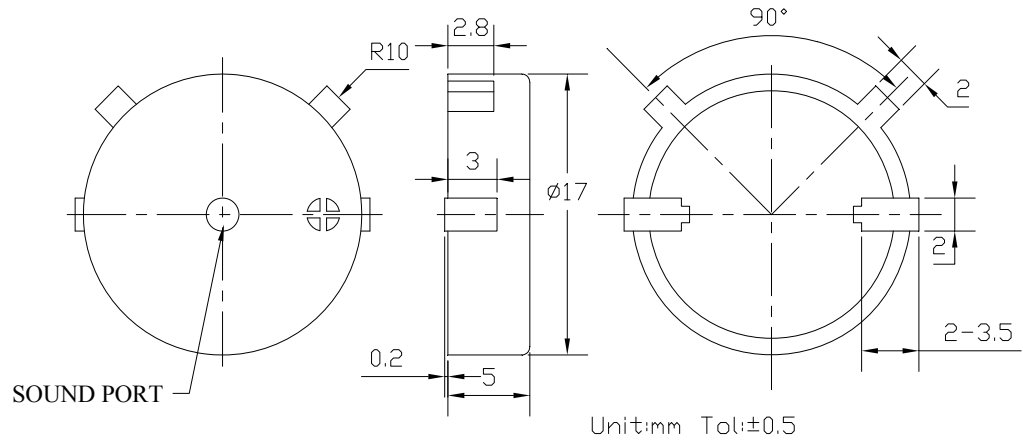


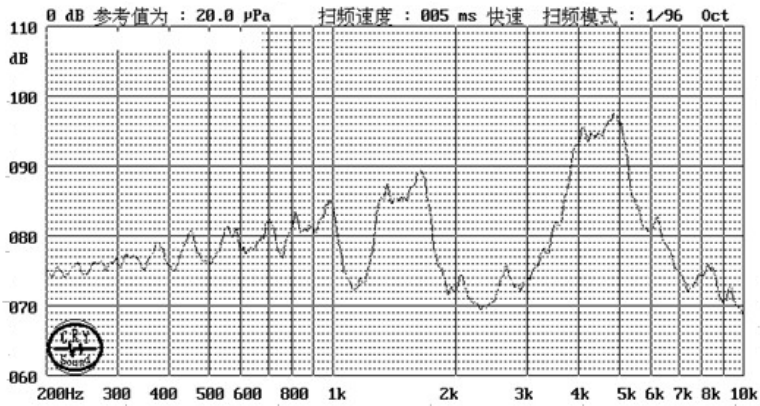
SPECIFICATIONS		
Rated Voltage	(Vo-p)	12.0
Operating Voltage	(Vo-p)	2~25
Rated Current	(mA)	MAX.5.0
Sound Output at 10cm	(dBA)	MIN.90
Static Capacitance At 1KHz	(pF)	15000±30%
Resonant Frequency	(Hz)	4000
Operating Temperature	(°C)	-30~+70
Storage Temperature	(°C)	-40~+80
Housing material		LCP
Weight	(g)	1.6

REVISION HISTORY			
LTR	DESCRIPTION	DATE	APPROVED

DIMENSION:



CHARACTERISTICS



NOTES:

- 1.ALL DIMENSIONS ARE IN MILLIMETERS.
- 2.SPECIFICATIONS SUBJECT TO CHANGE OR WITHDRAWAL WITHOUT NOTICE.
- 3.THIS PART IS ROHS 2002/95/EC COMPLIANT.

UNLESS OTHERWISE SPECIFIED	DESIGNED BY	DATE	CHECKED BY	DATE	APPROVED BY	DATE				
DIMENSIONS ARE IN MILLIMETERS	SIZE		Piezo Buzzer				P17050SM-15C(12V)-4000-F			
TOLERANCES ARE ±0.5 AND ANGLES ARE ±3°	A4						Changzhou Shenghui Electronic Co.,Ltd Tel:+86 519 85118108 Fax:+86 519 85108596 sales@shenghui.com http://www.shenghui.com			