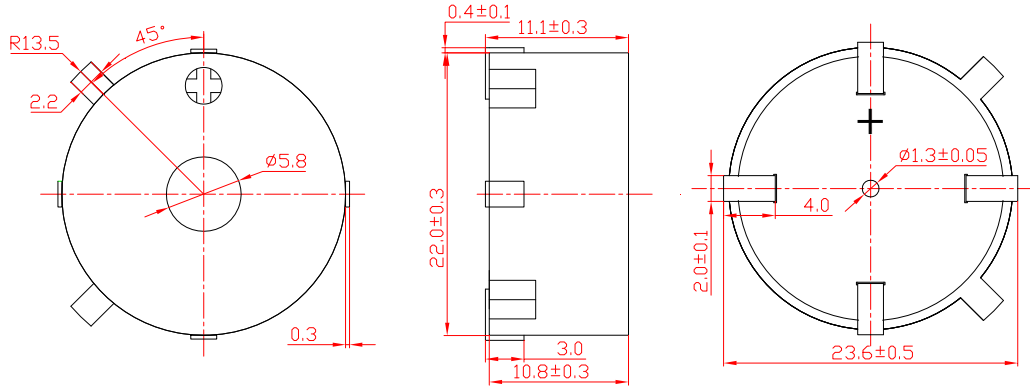


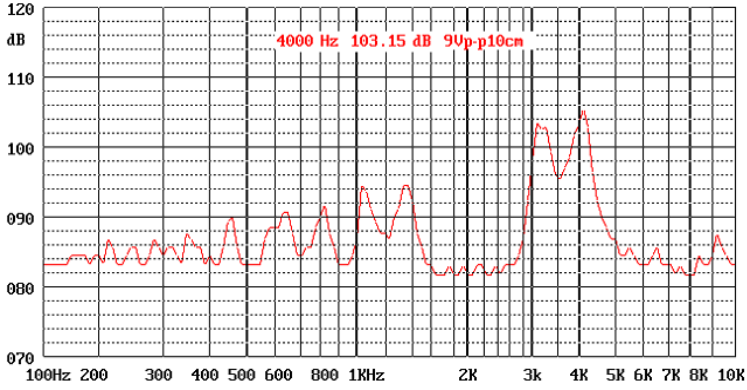
SPECIFICATIONS		
Rated Voltage	(Vo-p)	9.0
Operating Voltage	(Vo-p)	2~30
Rated Current	(mA)	MAX.7.0
Sound Output at 10cm	(dBA)	MIN.100
Static Capacitance At 1KHz	(pF)	25000±30%
Resonant Frequency	(Hz)	4000
Operating Temperature	(°C)	-30~+70
Storage Temperature	(°C)	-40~+80
Housing material		PPS
Weight	(g)	3.1

REVISION HISTORY			
LTR	DESCRIPTION	DATE	APPROVED

DIMENSION:



CHARACTERISTICS



NOTES:

- 1. ALL DIMENSIONS ARE IN MILLIMETERS.
- 2. SPECIFICATIONS SUBJECT TO CHANGE OR WITHDRAWAL WITHOUT NOTICE.
- 3. THIS PART IS ROHS 2002/95/EC COMPLIANT.

UNLESS OTHERWISE SPECIFIED	SIZE	Designed by	Date	Checked by	Date	Approved by	Date
		Piezo Buzzer		P22110SM-25C(9V)-4000-F			
DIMENSIONS ARE IN MILLIMETERS	A4						
TOLERANCES ARE ±0.5 AND ANGLES ARE ±3°		Changzhou Shenghui Electronic Co.,Ltd Tel:+86 519 85118108 Fax:+86 519 85108596 sales@shenghui.com http://www.shenghui.com					