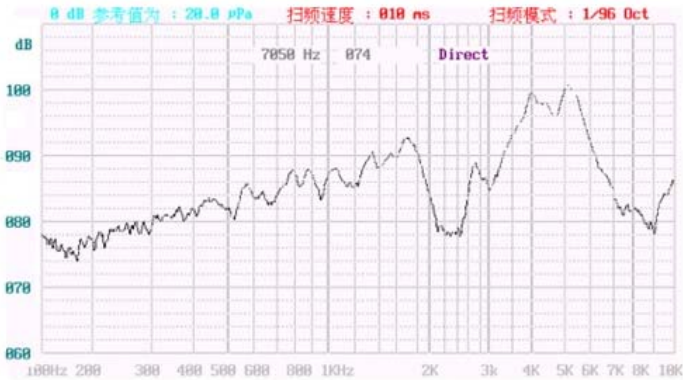


SPECIFICATIONS		
Rated Voltage	(Vo-p)	10.0
Operating Voltage	(Vo-p)	2~30
Rated Current	(mA)	MAX.7.0
Sound Output at 10cm	(dBA)	MIN.90
Static Capacitance At 1KHz	(pF)	28000±30%
Resonant Frequency	(Hz)	4000
Operating Temperature	(°C)	-30~+70
Storage Temperature	(°C)	-40~+80
Housing material		PPS
Weight	(g)	4.0

REVISION HISTORY			
LTR	DESCRIPTION	DATE	APPROVED

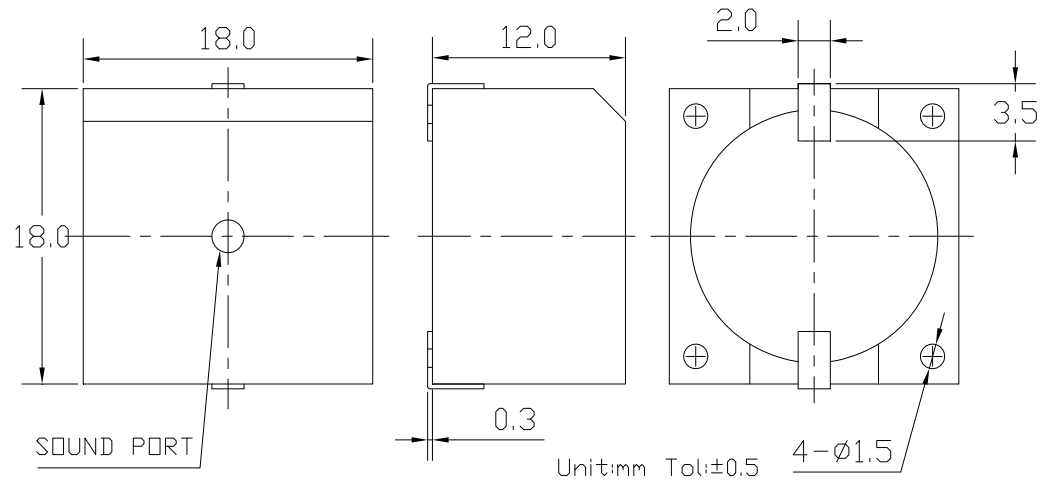
**CHARACTERISTICS**



**NOTES:**

- 1.ALL DIMENSIONS ARE IN MILLIMETERS.
- 2.SPECIFICATIONS SUBJECT TO CHANGE OR WITHDRAWL WITHOUT NOTICE.
- 3.THIS PART IS ROHS 2002/95/EC COMPLIANT.

**DIMENSION:**



UNLESS OTHERWISE SPECIFIED	SIZE	Designed by	Date	Checked by	Date	Approved by	Date
		Piezo Buzzer		PW1818120-28C(10V)-4000-F			
DIMENSIONS ARE IN MILLIMETERS	A4			<b>Changzhou Shenghui Electronic Co.,Ltd</b> Tel:+86 519 85118108 Fax:+86 519 85108596 sales@shenghui.com http://www.shenghui.com			
TOLERANCES ARE ±0.5 AND ANGLES ARE ±3°							