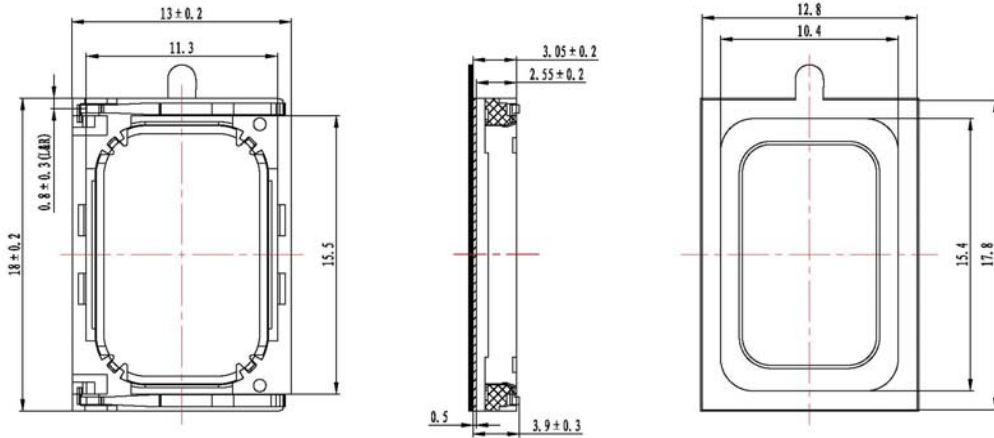


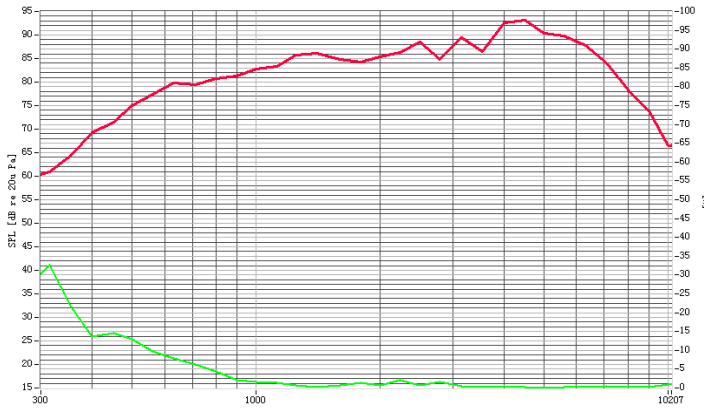
| SPECIFICATIONS | |
|----------------------------|--|
| Dimension (mm) | 13.0×18.0×2.55H |
| Input Power (W) | 0.6 (1cc cavity) |
| Max Input Power (W) | 1.0 (1cc cavity) |
| Impedance (Ω) | 8 ± 15% at 2kHz |
| Sensitivity (dB) | 83 ± 3dB(0.1W,0.1M) average of 0.8,1.0,1.2,1.5 KHz |
| Resonance Frequency(Hz) | 850±20%@1.0V (1cc cavity) |
| Frequency Range (Hz) | F0-20KHz |
| Operating Temperature (°C) | -20~+55 |
| Weight (g) | 2.0 |

| REVISIONHISTORY | | | |
|-----------------|-------------|------|----------|
| LTR | DESCRIPTION | DATE | APPROVED |
| | | | |
| | | | |
| | | | |

DIMENSION:



FREQNCYRESPONSE:



NOTES:

1. ALL DIMENSIONS ARE IN MILLIMETERS.
2. SPECIFICATIONS SUBJECT TO CHANGE OR WITHDRAWAL WITHOUT NOTICE.
3. THIS PART IS ROHS 2002/95/EC COMPLIANT.

| | | | | | | | |
|--|------------------------------|--------------------|------|---|------|-------------|------|
| UNLESS OTHERWISE SPECIFIED | SIZE A4 | Designed by | Date | Checked by | Date | Approved by | Date |
| DIMENSIONS ARE IN MILLIMETERS | | Cell Phone Speaker | | SM1318S100P-F | | | |
| TOLERANCES ARE ±0.5 AND ANGLES ARE ±3° | | | | Changzhou Shenghui Electronic Co.,Ltd Tel:+86 519 85118108 Fax:+86 519 85108596 sales@shenghui.com http://www.shenghui.com | | | |