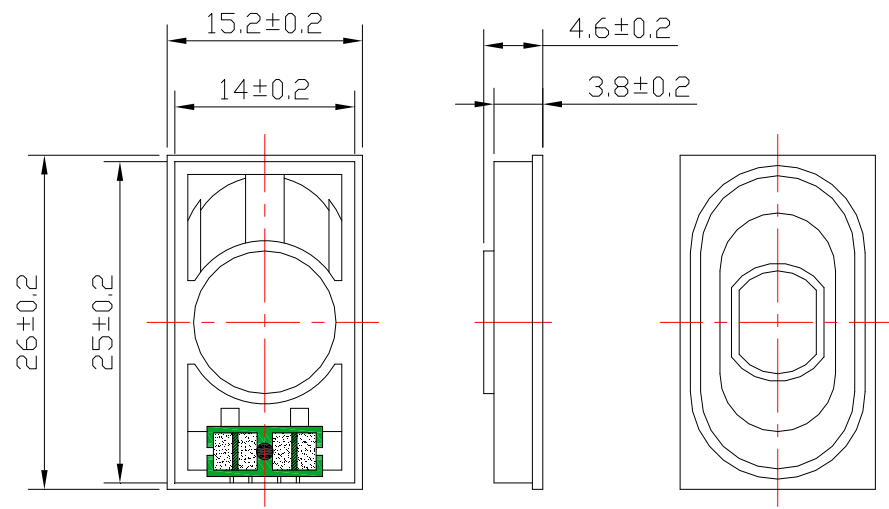


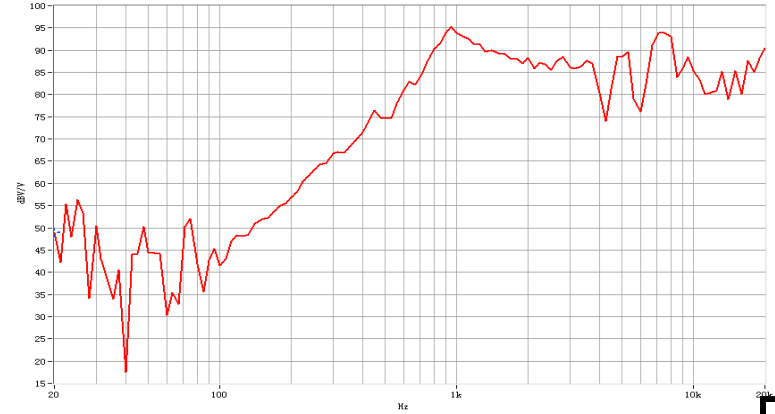
SPECIFICATIONS		
Dimension (mm)		15.2*26*4.6H
Input Power (W)		1.0 W
Max. Input Power (W)		2.0 W
Impedance (Ω)		$4 \pm 15\%$ at 1kHz, 1V
Sensitivity (dB)		$89 \pm 3\text{dB}$ (0.1W/0.1M) average of 1.0, 1.2, 1.5, 2.0 KHz
Frequency Rang (Hz)		Fo-20KHz
Operating temperature ($^{\circ}\text{C}$)		-20 ~ +55
Resonance Frequency (Hz)		$750 \pm 20\%$ at 1KHz 1V

REVISIONHISTORY			
LTR	DESCRIPTION	DATE	APPROVED

DIMENSION:



CHARACTERISTICS:



NOTES:

1. ALL DIMENSIONS ARE IN MILLIMETERS.
2. SPECIFICATIONS SUBJECT TO CHANGE OR WITHDRAWL WITHOUT NOTICE.
3. THIS PART IS ROHS 2002/95/EC COMPLIANT.

UNLESS OTHERWISE SPECIFIED	DESIGNED BY	DATE	CHECKED BY	DATE	APPROVED BY	DATE
DIMENSIONS ARE IN MILLIMETERS	SIZE A4	Notebook Speaker		SM1526S100-F		
TOLERANCES ARE ± 0.5 AND ANGLES ARE $\pm 3^{\circ}$				Changzhou Shenghui Electronic Co.,Ltd Tel:+86 519 85118108 Fax:+86 519 85108596 sales@shenghui.com http://www.shenghui.com		