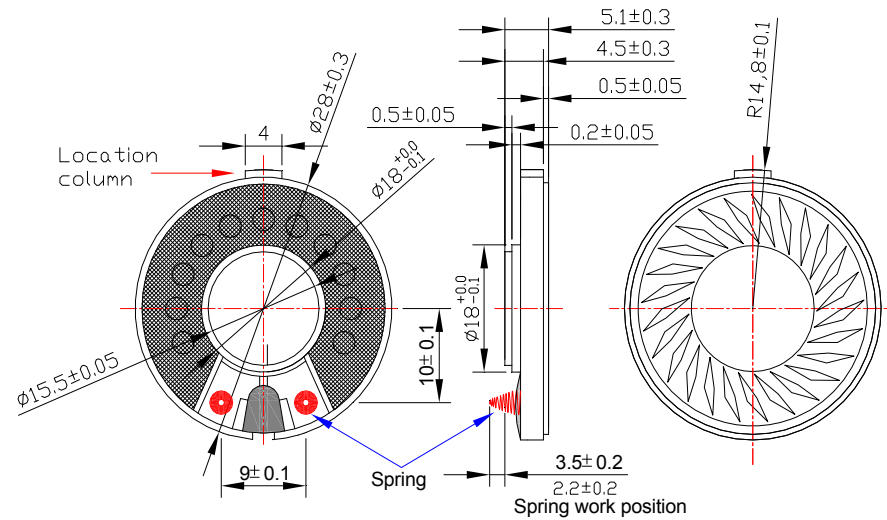


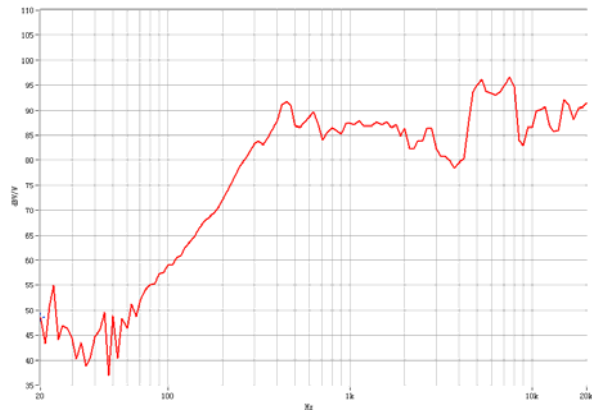
| SPECIFICATIONS | |
|----------------------------|----------------------------------------------------|
| Dimension (mm) | Φ28.0×5.1H |
| Input Power (W) | 0.5 |
| Max Input Power (W) | 1.0 |
| Impedance (Ω) | 8 ± 15% at 2kHz |
| Sensitivity (dB) | 86 ± 3dB(0.1W,0.1M) average of 0.8,1.0,1.2,1.5 KHz |
| Resonance Frequency(Hz) | 450±20%@1.0V Without Baffler |
| Frequency Range (Hz) | F0-20KHz |
| Operating Temperature (°C) | -20~+55 |
| Weight (g) | 8.0 |

| REVISIONHISTORY | | | |
|-----------------|-------------|------|----------|
| LTR | DESCRIPTION | DATE | APPROVED |
| | | | |
| | | | |
| | | | |

DIMENSION:



FREQENCYRESPONSE:



NOTES:

- 1.ALL DIMENSIONS ARE IN MILLIMETERS.
- 2.SPECIFICATIONS SUBJECT TO CHANGE OR WITHDRAWL WITHOUT NOTICE.
- 3.THIS PART IS ROHS 2002/95/EC COMPLIANT.

| | | | | | | | |
|----------------------------------------|------------------------------|----------------------|------|-----------------------------------------------------------------------------------------------------------------------------------------|------|-------------|------|
| UNLESS OTHERWISE SPECIFIED | SIZE A4 | Designed by | Date | Checked by | Date | Approved by | Date |
| DIMENSIONS ARE IN MILLIMETERS | | Mylar Speaker | | SM28S601-T-F | | | |
| TOLERANCES ARE ±0.5 AND ANGLES ARE ±3° | | | | Changzhou Shenghui Electronic Co.,Ltd Tel:+86 519 85118108 Fax:+86 519 85108596 sales@shenghui.com http://www.shenghui.com | | | |