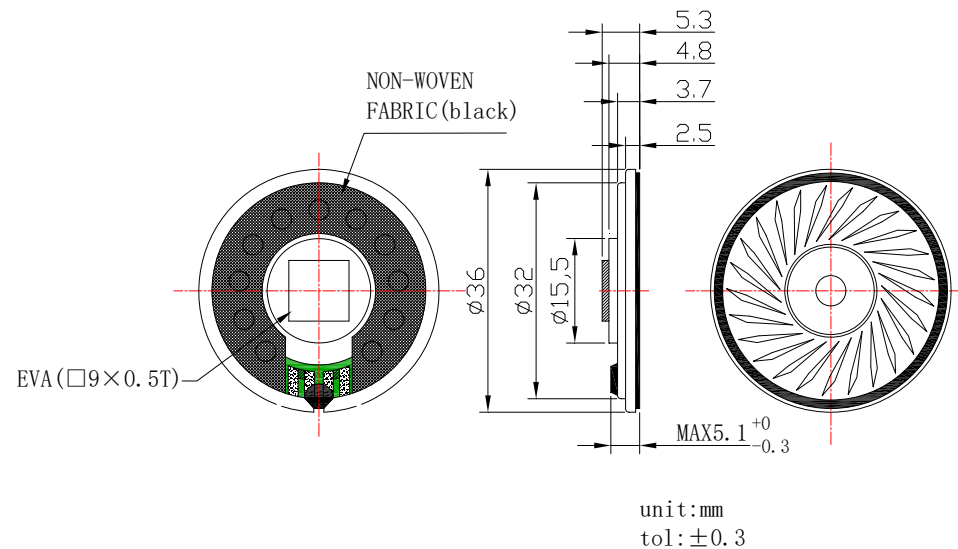
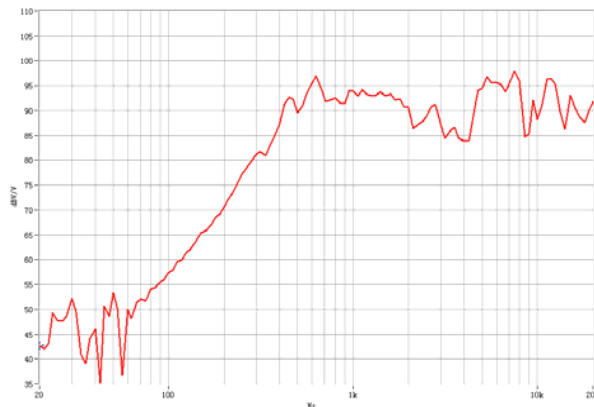


SPECIFICATIONS	
Dimension (mm)	Φ36.0×4.8H
Input Power (W)	1.0
Max Input Power (W)	1.5
Impedance (Ω)	8 ± 15% at 2kHz
Sensitivity (dB)	92 ± 3dB(0.1W,0.1M) average of 0.8,1.0,1.2,1.5 KHz
Resonance Frequency(Hz)	600±20%@1.0V Without Baffler
Frequency Range (Hz)	F0-20KHz
Operating Temperature (°C)	-20~+60
Weight (g)	8.5

**DIMENSION:**



**FREQENCYRESPONSE:**



**NOTES:**

- 1.ALL DIMENSIONS ARE IN MILLIMETERS.
- 2.SPECIFICATIONS SUBJECT TO CHANGE OR WITHDRAWL WITHOUT NOTICE.
- 3.THIS PART IS ROHS 2002/95/EC COMPLIANT.

REVISIONHISTORY			
LTR	DESCRIPTION	DATE	APPROVED

UNLESS OTHERWISE SPECIFIED	SIZE <b>A4</b>	Designed by	Date	Checked by	Date	Approved by	Date
DIMENSIONS ARE IN MILLIMETERS		Mylar Speaker		SM36S202-B-F			
TOLERANCES ARE ±0.5 AND ANGLES ARE±3°				<b>Changzhou Shenghui Electronic Co.,Ltd</b> Tel:+86 519 85118108 Fax:+86 519 85108596 sales@shenghui.com http://www.shenghui.com			