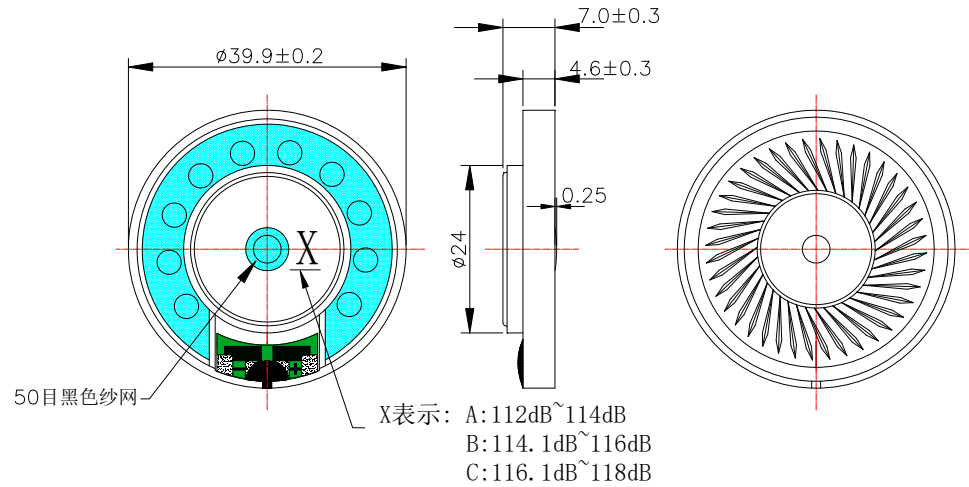


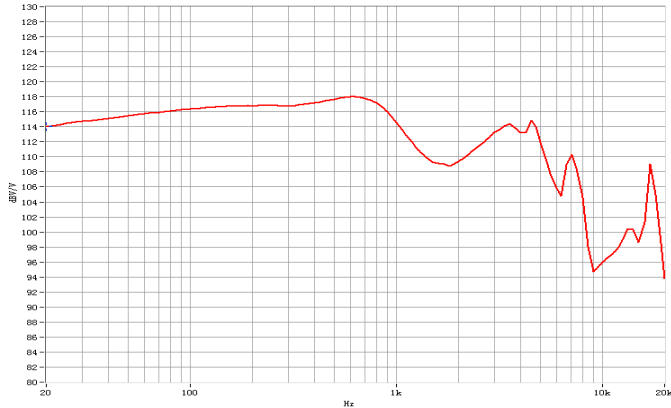
| SPECIFICATIONS | |
|----------------------------|--|
| Dimension (mm) | Φ40.0×7.0H |
| Input Power (mW) | 20 |
| Max Input Power (mW) | 40 |
| Impedance (Ω) | 32 ± 15% at 1kHz |
| Sensitivity (S.P.L) | 115 ± 3dB(at 179mV,1KHz) with IEC318 Coupler |
| Frequency Range (Hz) | 100-10KHz |
| Operating Temperature (°C) | -20~+55 |
| Storage Temperature (°C) | -20~+60 |
| Weight (g) | 8.0 |

| REVISIONHISTORY | | | |
|-----------------|-------------|------|----------|
| LTR | DESCRIPTION | DATE | APPROVED |
| | | | |
| | | | |
| | | | |

DIMENSION:



FREQUENCYRESPONSE:



NOTES:

- 1.ALL DIMENSIONS ARE IN MILLIMETERS.
- 2.SPECIFICATIONS SUBJECT TO CHANGE OR WITHDRAWL WITHOUT NOTICE.
- 3.THIS PART IS ROHS 2002/95/EC COMPLIANT.

| | | | | | | | |
|--|-------------------|------------------|------|---|------|-------------|------|
| UNLESS OTHERWISE SPECIFIED | SIZE A4 | Designed by | Date | Checked by | Date | Approved by | Date |
| DIMENSIONS ARE IN MILLIMETERS | | Earphone Speaker | | SM40R612-F | | | |
| TOLERANCES ARE ±0.5 AND ANGLES ARE ±3° | | | | Changzhou Shenghui Electronic Co.,Ltd Tel:+86 519 85118108 Fax:+86 519 85108596 sales@shenghui.com http://www.shenghui.com | | | |