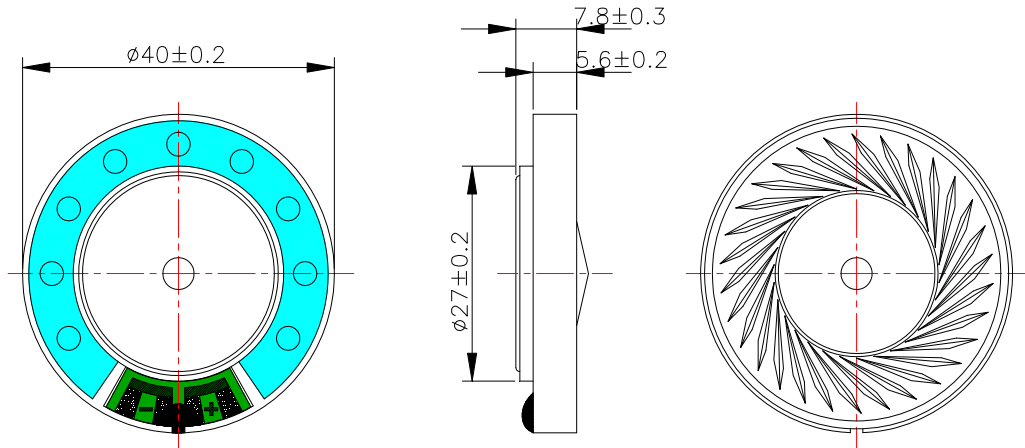


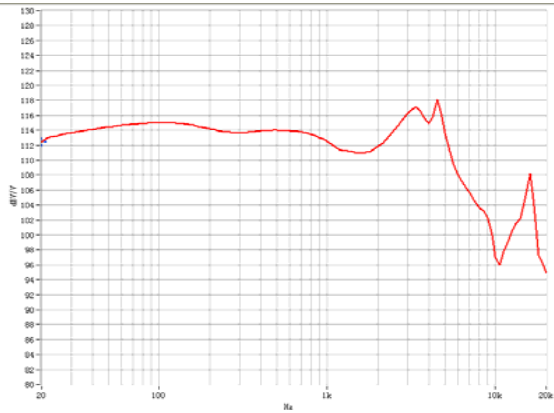
SPECIFICATIONS	
Dimension (mm)	Φ40.0×7.8H
Input Power (mW)	20
Max Input Power (mW)	40
Impedance (Ω)	16 ± 15% at 1kHz
Sensitivity (S.P.L)	114 ± 2dB(at 179mV,1KHz) with IEC318 Coupler
Frequency Range (Hz)	100-20KHz
Operating Temperature (°C)	-20~+55
Storage Temperature (°C)	-20~+60
Weight (g)	14.5

REVISION HISTORY			
LTR	DESCRIPTION	DATE	APPROVED

DIMENSION:



FREQUENCY RESPONSE:



NOTES:

1. ALL DIMENSIONS ARE IN MILLIMETERS.
2. SPECIFICATIONS SUBJECT TO CHANGE OR WITHDRAWAL WITHOUT NOTICE.
3. THIS PART IS ROHS 2002/95/EC COMPLIANT.

UNLESS OTHERWISE SPECIFIED	SIZE A4	Designed by	Date	Checked by	Date	Approved by	Date
DIMENSIONS ARE IN MILLIMETERS		Earphone Speaker		SM40R700-16R-F			
TOLERANCES ARE ± 0.5 AND ANGLES ARE $\pm 3^\circ$				Changzhou Shenghui Electronic Co.,Ltd Tel:+86 519 85118108 Fax:+86 519 85108596 sales@shenghui.com http://www.shenghui.com			