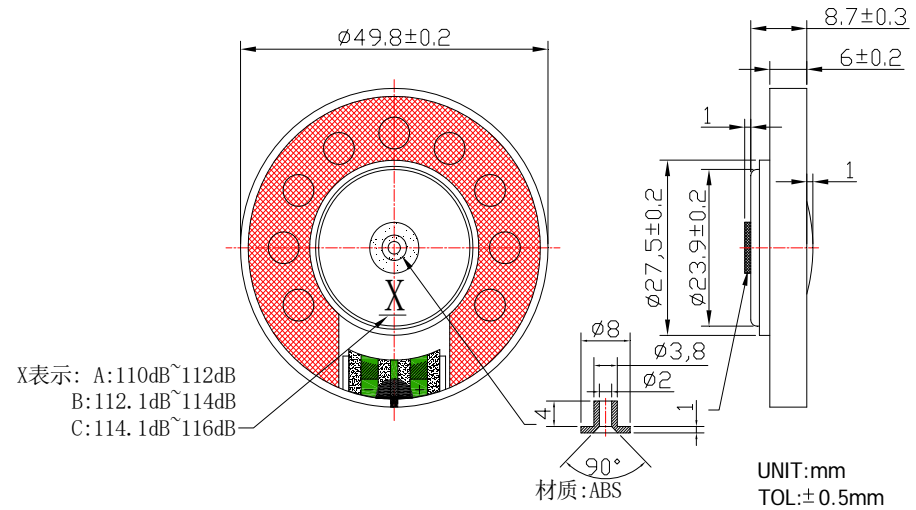


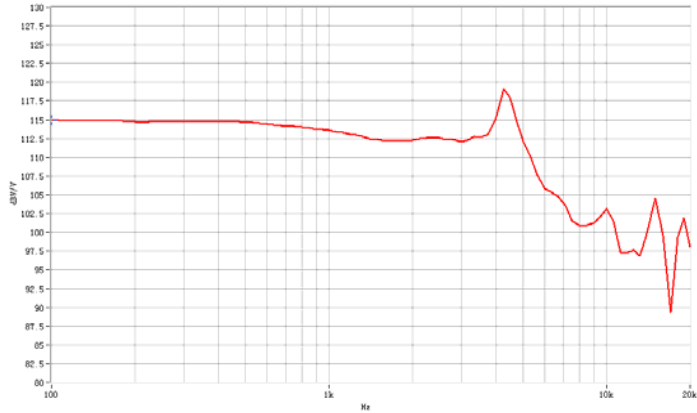
SPECIFICATIONS	
Dimension (mm)	Φ50.0×8.7H
Input Power (mW)	20
Max Input Power (mW)	40
Impedance (Ω)	32 ± 15% at 1kHz
Sensitivity (S.P.L)	113 ± 3dB(at 179mV,1KHz) with IEC318 Coupler
Frequency Range (Hz)	100-10KHz
Operating Temperature (°C)	-20~+55
Storage Temperature (°C)	-20~+60
Weight (g)	16.0

REVISIONHISTORY			
LTR	DESCRIPTION	DATE	APPROVED

**DIMENSION:**



**FREQNCYRESPONSE:**



**NOTES:**

- 1.ALL DIMENSIONS ARE IN MILLIMETERS.
- 2.SPECIFICATIONS SUBJECT TO CHANGE OR WITHDRAWL WITHOUT NOTICE.
- 3.THIS PART IS ROHS 2002/95/EC COMPLIANT.

UNLESS OTHERWISE SPECIFIED	SIZE <b>A4</b>	Designed by	Date	Checked by	Date	Approved by	Date
DIMENSIONS ARE IN MILLIMETERS		Earphone Speaker		<b>SM50R200-C-F</b>			
TOLERANCES ARE ±0.5 AND ANGLES ARE ±3°				<b>Changzhou Shenghui Electronic Co.,Ltd</b> Tel:+86 519 85118108 Fax:+86 519 85108596 sales@shenghui.com http://www.shenghui.com			