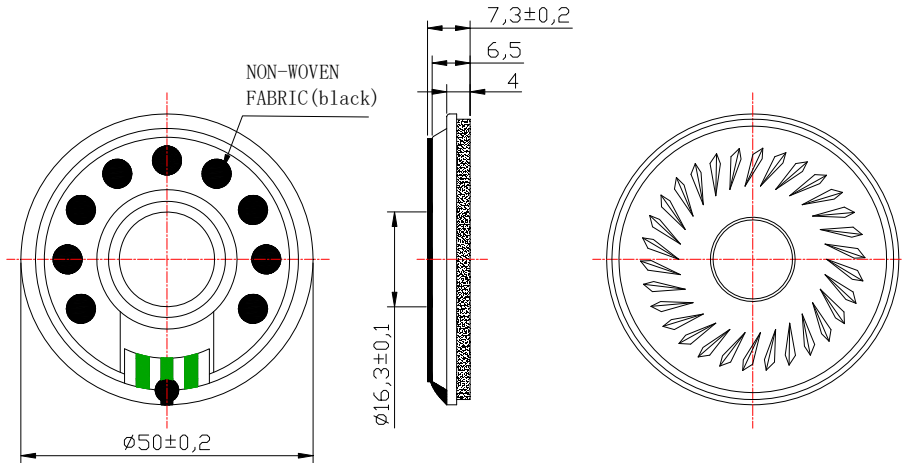


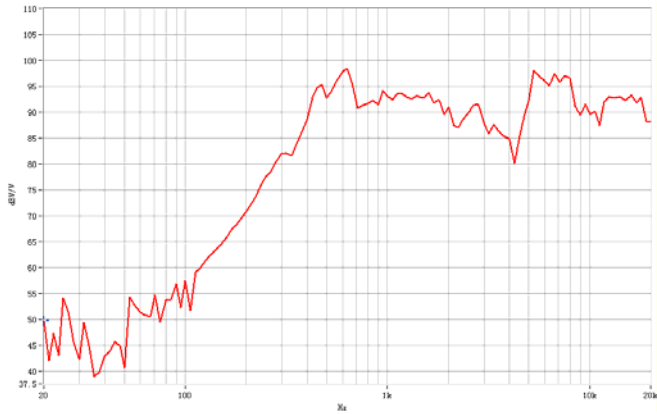
SPECIFICATIONS	
Dimension (mm)	Φ50.0×7.3H
Input Power (W)	1.0
Max Input Power (W)	1.5
Impedance (Ω)	8 ± 15% at 2kHz
Sensitivity (dB)	90 ± 3dB(0.1W,0.1M) average of 0.8,1.0,1.2,1.5 KHz
Resonance Frequency(Hz)	500±20%@1.0V Without Baffler
Frequency Range (Hz)	F0-20KHz
Operating Temperature (°C)	-20~+55
Weight (g)	16.3

REVISIONHISTORY			
LTR	DESCRIPTION	DATE	APPROVED

DIMENSION:



FREQENCYRESPONSE:



NOTES:

- 1.ALL DIMENSIONS ARE IN MILLIMETERS.
- 2.SPECIFICATIONS SUBJECT TO CHANGE OR WITHDRAWL WITHOUT NOTICE.
- 3.THIS PART IS ROHS 2002/95/EC COMPLIANT.

UNLESS OTHERWISE SPECIFIED	DESIGNED BY	DATE	CHECKED BY	DATE	APPROVED BY	DATE
DIMENSIONS ARE IN MILLIMETERS	SIZE A4	Mylar Speaker		SM50S202 -F		
TOLERANCES ARE ±0.5 AND ANGLES ARE ±3°				Changzhou Shenghui Electronic Co.,Ltd Tel:+86 519 85118108 Fax:+86 519 85108596 sales@shenghui.com http://www.shenghui.com		