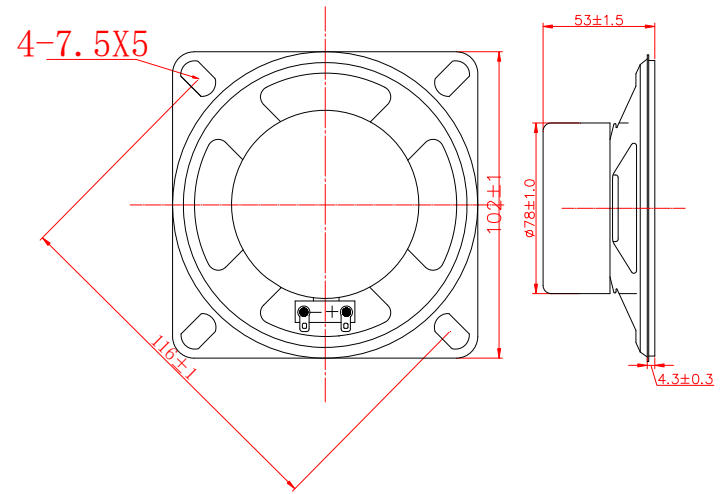


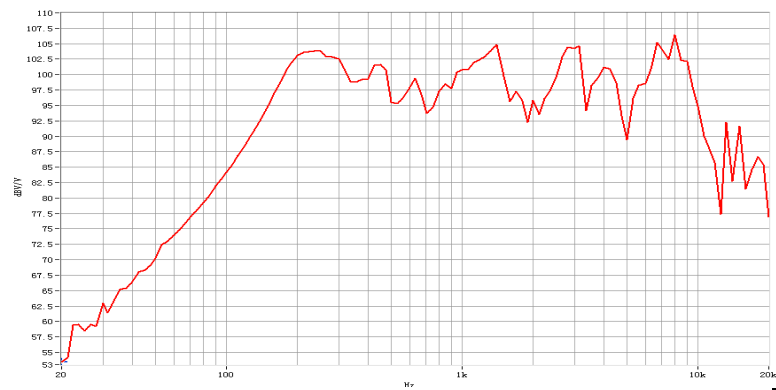
SPECIFICATIONS		
Dimension (mm)		102*102*53H
Input Power (W)		4.0 W
Max. Input Power (W)		8.0 W
Impedance ( $\Omega$ )		$4 \pm 20\%$ at 1kHz
Sensitivity (dB)		$92 \pm 3\text{dB}$ (0.1W/0.1M) average of 0.8, 1.0, 1.2, 1.5KHz
Frequency Rang (Hz)		Fo-18KHz
Operating temperature ( $^{\circ}\text{C}$ )		$-20 \sim +55$
Resonance Frequency (Hz)		$180 \pm 20\%$ at 1KHz 1V

REVISIONHISTORY			
LTR	DESCRIPTION	DATE	APPROVED

**DIMENSION:**



**CHARACTERISTICS:**



**NOTES:**

1. ALL DIMENSIONS ARE IN MILLIMETERS.
2. SPECIFICATIONS SUBJECT TO CHANGE OR WITHDRAWL WITHOUT NOTICE.
3. THIS PART IS ROHS 2002/95/EC COMPLIANT.

UNLESS OTHERWISE SPECIFIED	<b>SIZE</b>  <b>A4</b>	Designed by	Date	Checked by	Date	Approved by	Date
		<b>Multimedia Speaker</b>		<b>SN100S101-F</b>			
				<b>Changzhou Shenghui Electronic Co.,Ltd</b> Tel:+86 519 85118108 Fax:+86 519 85108596 sales@shenghui.com http://www.shenghui.com			