

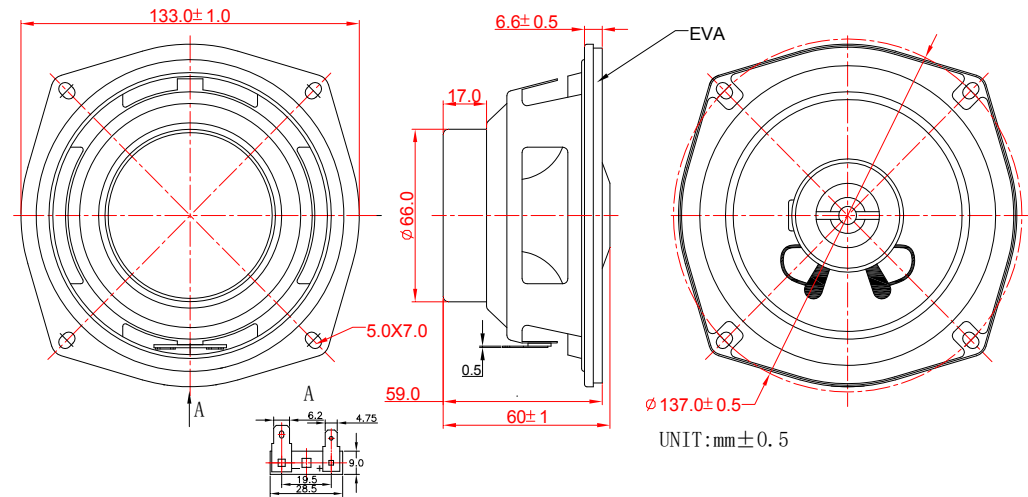
SPECIFICATIONS

Dimension (mm)	135*60H	
Input Power (W)	15 W	
Max. Input Power (W)	30W	
Impedance (Ω)	$8 \pm 20\%$ at 1kHz	
Sensitivity (dB)	$92 \pm 3\text{dB}$ 0.1W/0.1M average of 0.8, 1.0, 1.2, 1.5 KHz	
Frequency Rang (Hz)	Fo-10KHz	
Operating temperature ($^{\circ}\text{C}$)	$-20 \sim +55$	
Resonance Frequency (Hz)	$100 \pm 20\%$ at 1KHz 1V	

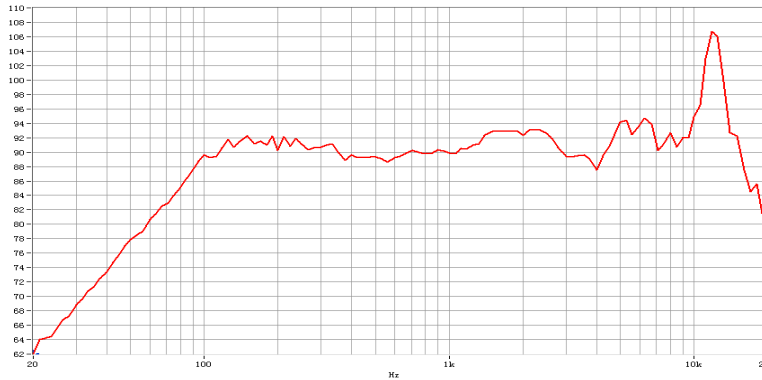
REVISION HISTORY

LTR	DESCRIPTION	DATE	APPROVED

DIMENSION:



CHARACTERISTICS:



NOTES:

1. ALL DIMENSIONS ARE IN MILLIMETERS.
2. SPECIFICATIONS SUBJECT TO CHANGE OR WITHDRAWAL WITHOUT NOTICE.
3. THIS PART IS ROHS 2002/95/EC COMPLIANT.

UNLESS OTHERWISE SPECIFIED

DIMENSIONS ARE IN MILLIMETERS

TOLERANCES ARE ± 0.5 AND ANGLES ARE $\pm 3^{\circ}$

SIZE
A4

Designed by	Date	Checked by	Date	Approved by	Date

Automobile Speaker

SN135S100-8R



Changzhou Shenghui Electronic Co.,Ltd
Tel:+86 519 85118108 Fax:+86 519 85108596
sales@shenghui.com http://www.shenghui.com