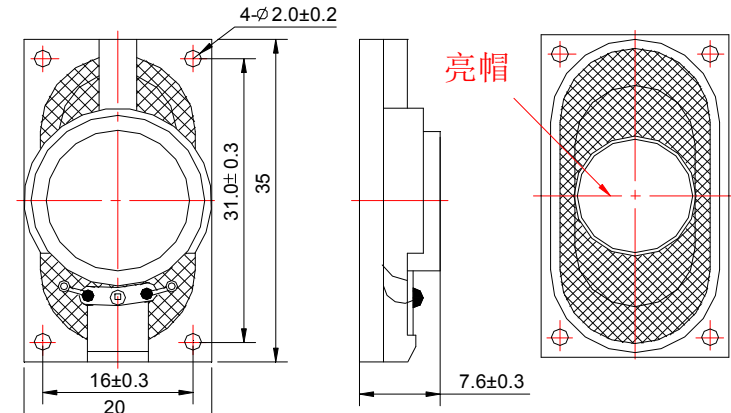


SPECIFICATIONS		
Dimension (mm)		20*35*7.6H
Input Power (W)		1.0W
Max. Input Power (W)		1.5W
Impedance (Ω)		$8 \pm 20\%$ at 1kHz
Sensitivity (dB)		85 ± 3 dB AT (1W/0.5M)
Frequency Rang (Hz)		Fo-5KHz
Operating temperature ($^{\circ}$ C)		-20~+55
Resonance Frequency (Hz)		$750 \pm 20\%$ at 1KHz 1V

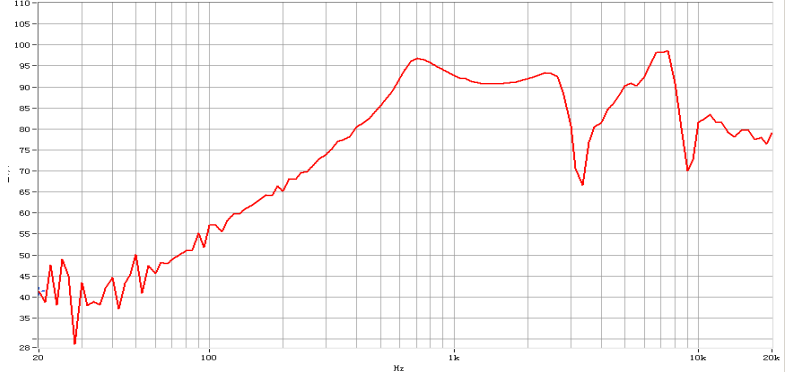
REVISIONHISTORY			
LTR	DESCRIPTION	DATE	APPROVED

DIMENSION:



Tol: ± 0.5 Unit:mm

CHARACTERISTICS:



NOTES:

- 1.ALL DIMENSIONS ARE IN MILLIMETERS.
- 2.SPECIFICATIONS SUBJECT TO CHANGE OR WITHDRAWL WITHOUT NOTICE.
- 3.THIS PART IS ROHS 2002/95/EC COMPLIANT.

UNLESS OTHERWISE SPECIFIED	SIZE A4	Designed by	Date	Checked by	Date	Approved by	Date
DIMENSIONS ARE IN MILLIMETERS		Notebook Speaker		SN2035S001-F			
TOLERANCES ARE ± 0.5 AND ANGLES ARE $\pm 3^{\circ}$				Changzhou Shenghui Electronic Co.,Ltd Tel:+86 519 85118108 Fax:+86 519 85108596 sales@shenghui.com http://www.shenghui.com			