

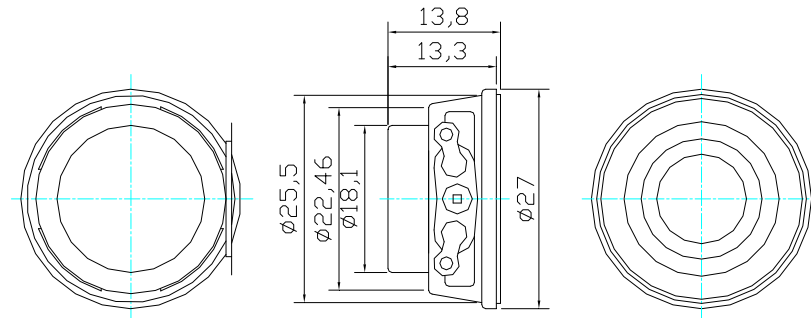
SPECIFICATIONS

Dimension (mm)	φ 27*13.8H	
Input Power (W)	2.0 W	
Max. Input Power (W)	3.0 W	
Impedance (Ω)	8 ± 15% at 1kHz	
Sensitivity (dB)	87 ± 3dB(0.1W/0.1M) average of 0.8, 1.0, 1.2, 1.5 KHz	
Frequency Rang (Hz)	Fo-10KHz	
Operating temperature (°C)	-20~+55	
Resonance Frequency (Hz)	750±20% at 1KHz 1V	

REVISIONHISTORY

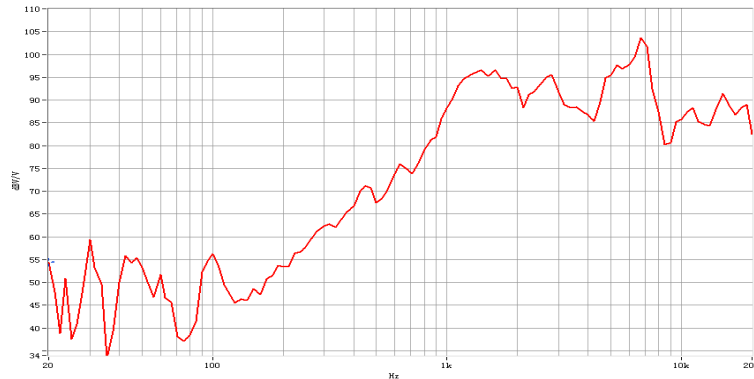
LTR	DESCRIPTION	DATE	APPROVED

DIMENSION:



unit:mm
tol:±0.5

CHARACTERISTICS:



NOTES:

- 1.ALL DIMENSIONS ARE IN MILLIMETERS.
- 2.SPECIFICATIONS SUBJECT TO CHANGE OR WITHDRAWL WITHOUT NOTICE.
- 3.THIS PART IS ROHS 2002/95/EC COMPLIANT.

UNLESS OTHERWISE SPECIFIED	SIZE A4	Designed by	Date	Checked by	Date	Approved by	Date
DIMENSIONS ARE IN MILLIMETERS		Multimedia Speaker		SN27AS001-F			
TOLERANCES ARE ±0.5 AND ANGLES ARE ±3°				Changzhou Shenghui Electronic Co.,Ltd Tel:+86 519 85118108 Fax:+86 519 85108596 sales@shenghui.com http://www.shenghui.com			