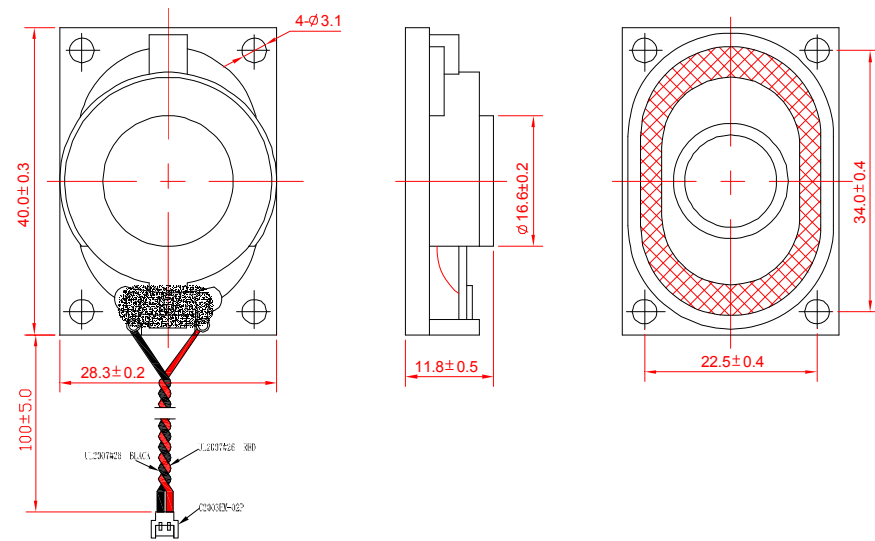


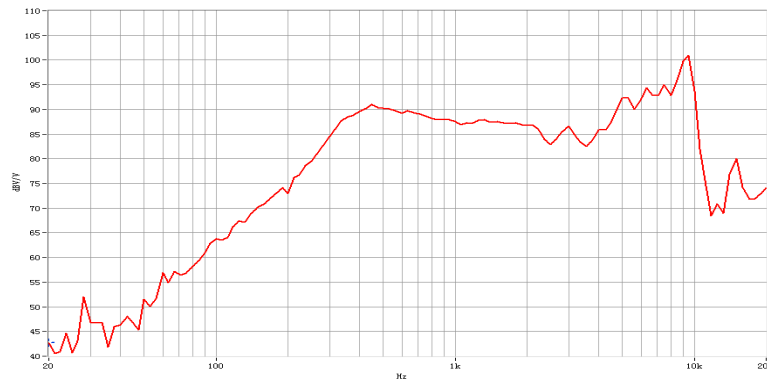
SPECIFICATIONS		
Dimension	(mm)	28.3*40*12H
Input Power	(W)	2.0 W
Max. Input Power	(W)	3.0 W
Impedance	(Ω)	8 ± 15% at 1kHz
Sensitivity	(dB)	88 ± 3dB(0.1W/0.1M) average of 0.8, 1.0, 1.2, 1.5 KHz
Frequency Rang	(Hz)	Fo-10KHz
Operating temperature	(°C)	-20~+70
Resonance Frequency	(Hz)	450 ± 20% at 1KHz 1V

REVISIONHISTORY			
LTR	DESCRIPTION	DATE	APPROVED

DIMENSION:



CHARACTERISTICS:



NOTES:

1. ALL DIMENSIONS ARE IN MILLIMETERS.
2. SPECIFICATIONS SUBJECT TO CHANGE OR WITHDRAWAL WITHOUT NOTICE.
3. THIS PART IS ROHS 2002/95/EC COMPLIANT.

UNLESS OTHERWISE SPECIFIED	SIZE A4	Designed by	Date	Checked by	Date	Approved by	Date
DIMENSIONS ARE IN MILLIMETERS		Multimedia Speaker		SN3040S003L100-A-F			
TOLERANCES ARE ±0.5 AND ANGLES ARE ±3°				Changzhou Shenghui Electronic Co.,Ltd Tel:+86 519 85118108 Fax:+86 519 85108596 sales@shenghui.com http://www.shenghui.com			