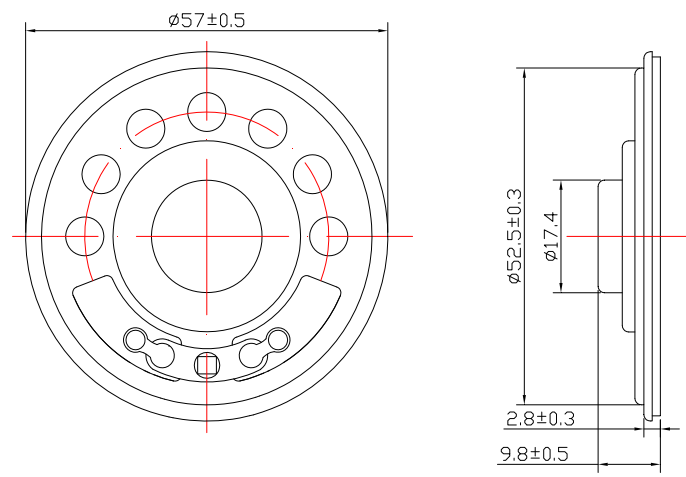


SPECIFICATIONS		
Dimension	(mm)	Φ57*9.8
Input Power	(W)	0.5 W
Max. Input Power	(W)	1.0 W
Impedance	(Ω)	8±15% at 1kHz
Sensitivity	(dB)	93±3dB(0.1W/0.1M) average of 0.8, 1.0, 1.2, 1.5 KHz
Frequency Rang	(Hz)	Fo-5KHz
Operating temperature	(°C)	-20~+55
Resonance Frequency	(Hz)	450±20% at 1KHz 1V

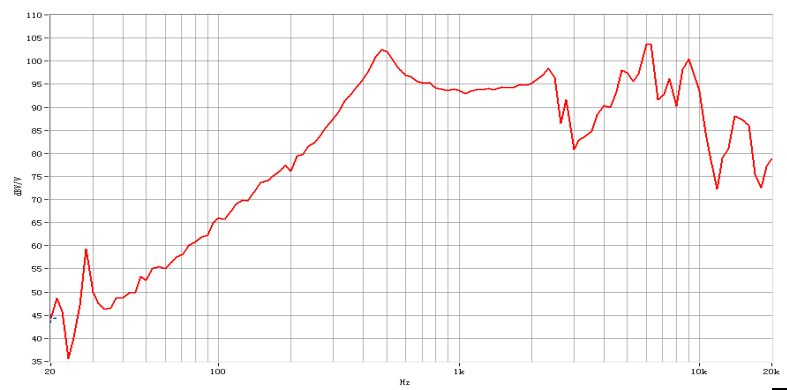
REVISIONHISTORY			
LTR	DESCRIPTION	DATE	APPROVED

DIMENSION:



Unit:mm Tol:±0.5

CHARACTERISTICS:



NOTES:

1. ALL DIMENSIONS ARE IN MILLIMETERS.
2. SPECIFICATIONS SUBJECT TO CHANGE OR WITHDRAWL WITHOUT NOTICE.
3. THIS PART IS ROHS 2002/95/EC COMPLIANT.

UNLESS OTHERWISE SPECIFIED	DESIGNED BY	DATE	CHECKED BY	DATE	APPROVED BY	DATE						
							SIZE	Mylar Speaker				
								SN35S030-8R-F				
DIMENSIONS ARE IN MILLIMETERS												
TOLERANCES ARE ±0.5 AND ANGLES ARE ±3°	Changzhou Shenghui Electronic Co.,Ltd Tel:+86 519 85118108 Fax:+86 519 85108596 sales@shenghui.com http://www.shenghui.com											