

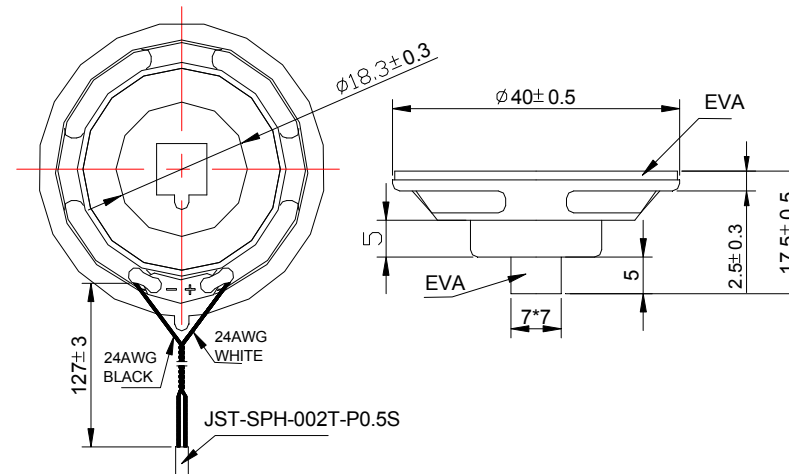
### SPECIFICATIONS

Dimension (mm)	Φ40*H17.5	
Input Power (W)	1.0W	
Max. Input Power (W)	2.0W	
Impedance (Ω)	8 ± 15% at 1kHz	
Sensitivity (dB)	92± 3dB(0.1W/0.1m) average of 0.8,1.0,1.2,1.5 KHz	
Frequency Rang (Hz)	Fo-4KHz	
Operating temperature (°C)	-20~+55	
Resonance Frequency (Hz)	650±20% at 1KHz 1V	

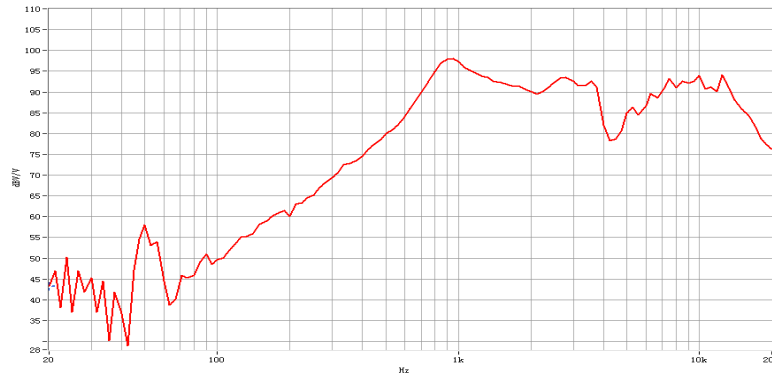
### REVISION HISTORY

LTR	DESCRIPTION	DATE	APPROVED

### DIMENSION:



### CHARACTERISTICS:



### NOTES:

1. ALL DIMENSIONS ARE IN MILLIMETERS.
2. SPECIFICATIONS SUBJECT TO CHANGE OR WITHDRAWAL WITHOUT NOTICE.
3. THIS PART IS ROHS 2002/95/EC COMPLIANT.

UNLESS OTHERWISE SPECIFIED	SIZE <b>A4</b>	Designed by	Date	Checked by	Date	Approved by	Date
DIMENSIONS ARE IN MILLIMETERS		Mylar Speaker		SN40S102L-F			
TOLERANCES ARE ±0.5 AND ANGLES ARE ±3°				<b>Changzhou Shenghui Electronic Co.,Ltd</b> Tel:+86 519 85118108 Fax:+86 519 85108596 sales@shenghui.com http://www.shenghui.com			