

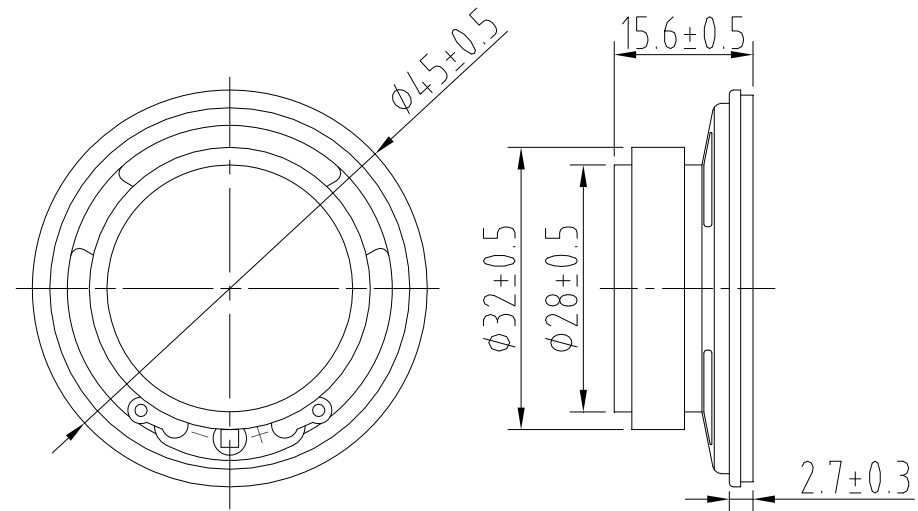
SPECIFICATIONS

Dimension (mm)	Φ45*15.6H	
Input Power (W)	0.2W	
Max. Input Power (W)	0.5W	
Impedance (Ω)	8 ± 15% at 1kHz	
Sensitivity (dB)	94± 3dB(0.1W/0.1m) average of 0.8,1.0,1.2,1.5 KHz	
Frequency Rang (Hz)	Fo-4KHz	
Operating temperature (°C)	-20~+55	
Resonance Frequency (Hz)	600±20% at 1KHz 1V	

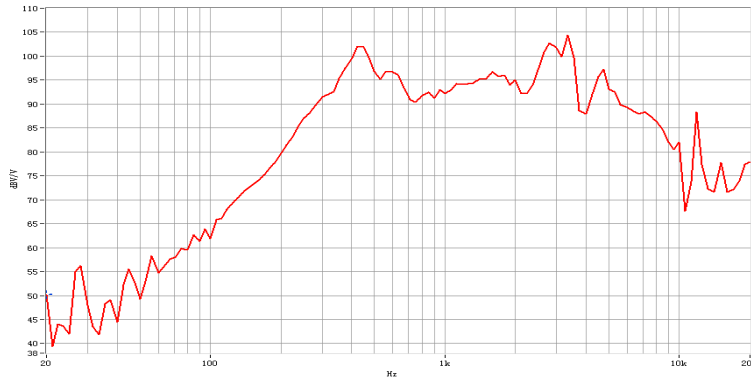
REVISIONHISTORY

LTR	DESCRIPTION	DATE	APPROVED

DIMENSION:



CHARACTERISTICS:



NOTES:

1. ALL DIMENSIONS ARE IN MILLIMETERS.
2. SPECIFICATIONS SUBJECT TO CHANGE OR WITHDRAWL WITHOUT NOTICE.
3. THIS PART IS ROHS 2002/95/EC COMPLIANT.

UNLESS OTHERWISE SPECIFIED

DIMENSIONS ARE IN MILLIMETERS

TOLERANCES ARE ±0.5 AND ANGLES ARE ±3°

SIZE
A4

Designed by	Date	Checked by	Date	Approved by	Date

Multimedia Speaker

SN45S200-8R-F



Changzhou Shenghui Electronic Co.,Ltd
Tel:+86 519 85118108 Fax:+86 519 85108596
sales@shenghui.com http://www.shenghui.com