

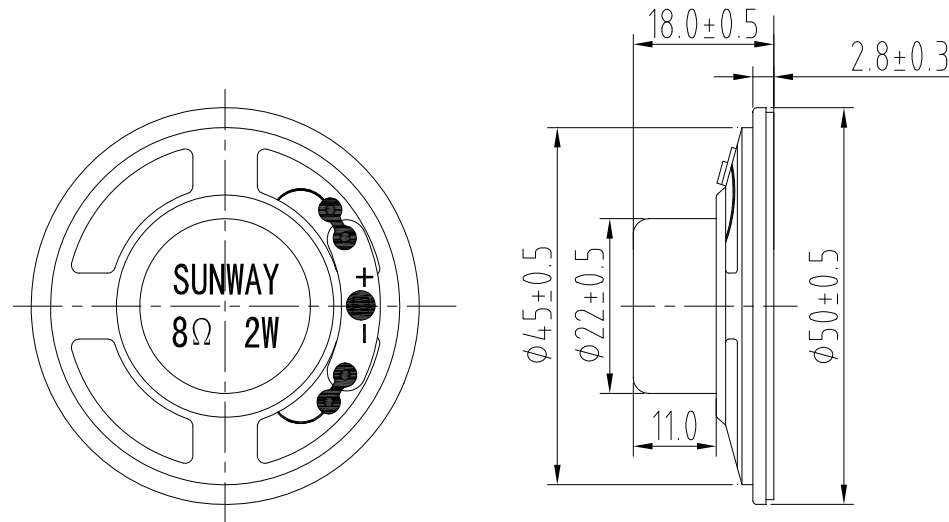
### SPECIFICATIONS

Dimension (mm)	φ 50*18.0H	
Input Power (W)	1.0W	
Max. Input Power (W)	2.0W	
Impedance (Ω)	8 ± 15% at 1kHz	
Sensitivity (dB)	93 ± 3dB(0.1W/0.1M) average of 0.8, 1.0, 1.2, 1.5 KHz	
Frequency Rang (Hz)	Fo-5KHz	
Operating temperature (°C)	-20~+70	
Resonance Frequency (Hz)	450±20% at 1KHz 1V	

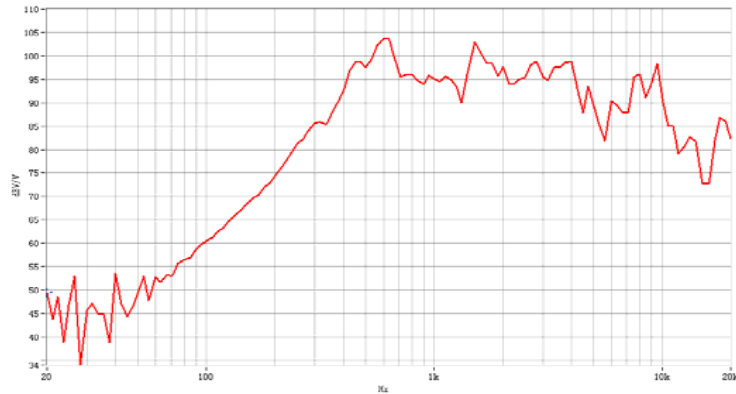
### REVISION HISTORY

LTR	DESCRIPTION	DATE	APPROVED

### DIMENSION:



### CHARACTERISTICS:



### NOTES:

1. ALL DIMENSIONS ARE IN MILLIMETERS.
2. SPECIFICATIONS SUBJECT TO CHANGE OR WITHDRAWL WITHOUT NOTICE.
3. THIS PART IS ROHS 2002/95/EC COMPLIANT.

UNLESS OTHERWISE SPECIFIED	SIZE <b>A4</b>	Designed by	Date	Checked by	Date	Approved by	Date
DIMENSIONS ARE IN MILLIMETERS		<b>Multimedia Speaker</b>		<b>SN50S011-F</b>			
TOLERANCES ARE ±0.5 AND ANGLES ARE ±3°				<b>Changzhou Shenghui Electronic Co.,Ltd</b> Tel:+86 519 85118108 Fax:+86 519 85108596 sales@shenghui.com http://www.shenghui.com			