

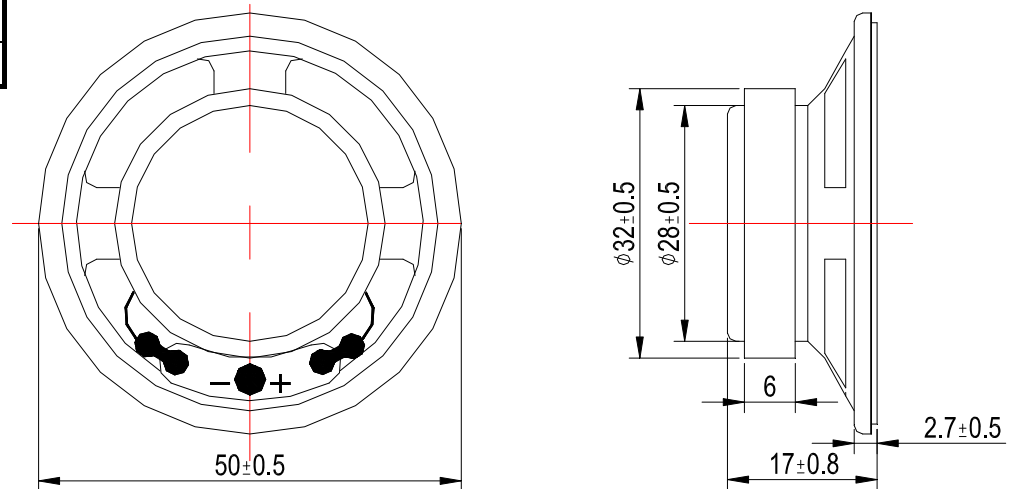
SPECIFICATIONS

Dimension (mm)	φ 50*17H	
Input Power (W)	0.5W	
Max. Input Power (W)	1.0W	
Impedance (Ω)	8± 15% at 1kHz	
Sensitivity (dB)	90±3dB(0.1W/0.1M) average of 0.8, 1.0, 1.2, 1.5 KHz	
Frequency Rang (Hz)	Fo-4KHz	
Operating temperature (°C)	-20~+55	
Resonance Frequency (Hz)	500±20% at 1KHz 1V	

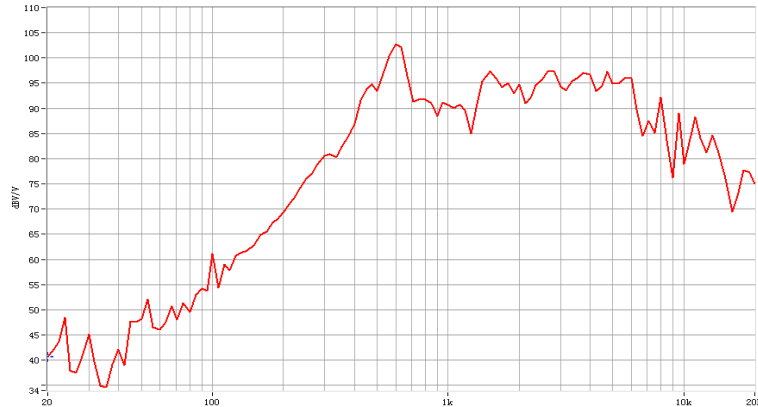
REVISIONHISTORY

LTR	DESCRIPTION	DATE	APPROVED

DIMENSION:



CHARACTERISTICS:



NOTES:

1. ALL DIMENSIONS ARE IN MILLIMETERS.
2. SPECIFICATIONS SUBJECT TO CHANGE OR WITHDRAWL WITHOUT NOTICE.
3. THIS PART IS ROHS 2002/95/EC COMPLIANT.

UNLESS OTHERWISE SPECIFIED	SIZE A4	Designed by	Date	Checked by	Date	Approved by	Date
DIMENSIONS ARE IN MILLIMETERS		Mylar Speaker		SN50S026-8R-A-F			
TOLERANCES ARE ±0.5 AND ANGLES ARE ±3°				Changzhou Shenghui Electronic Co.,Ltd Tel:+86 519 85118108 Fax:+86 519 85108596 sales@shenghui.com http://www.shenghui.com			