

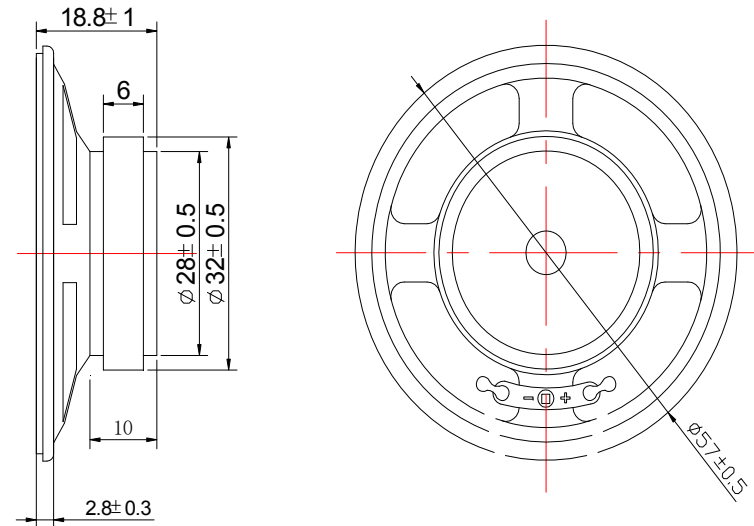
SPECIFICATIONS

| | | |
|----------------------------|---|--|
| Dimension (mm) | Φ57*18.8 | |
| Input Power (W) | 2.0 W | |
| Max. Input Power (W) | 4.0 W | |
| Impedance (Ω) | 8± 20% at 1kHz | |
| Sensitivity (dB) | 92± 3dB(0.1W/0.1M) average of 0.8, 1.0, 1.2, 1.5 KHz | |
| Frequency Rang (Hz) | Fo-5KHz | |
| Operating temperature (°C) | -20~+55 | |
| Resonance Frequncy (Hz) | 470±20% at 1KHz 1V | |

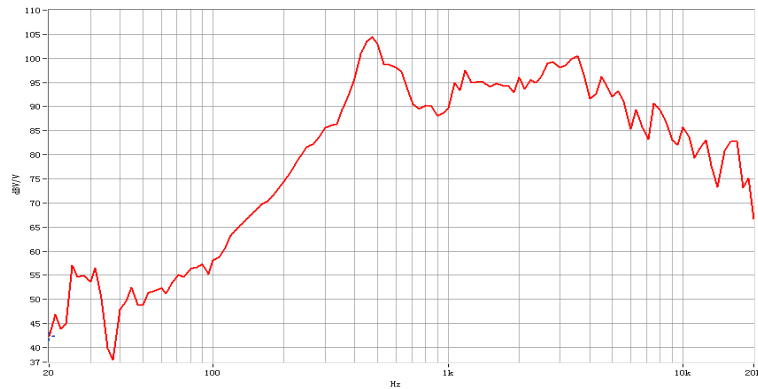
REVISIONHISTORY

| LTR | DESCRIPTION | DATE | APPROVED |
|-----|-------------|------|----------|
| | | | |
| | | | |
| | | | |

DIMENSION:



CHARACTERISTICS:



NOTES:

1. ALL DIMENSIONS ARE IN MILLIMETERS.
2. SPECIFICATIONS SUBJECT TO CHANGE OR WITHDRAWL WITHOUT NOTICE.
3. THIS PART IS ROHS 2002/95/EC COMPLIANT.

| | | | | | | | |
|--|-------------------|----------------------|------|---|------|-------------|------|
| UNLESS OTHERWISE SPECIFIED | SIZE A4 | Designed by | Date | Checked by | Date | Approved by | Date |
| DIMENSIONS ARE IN MILLIMETERS | | Mylar Speaker | | SN57S032-8R-A-F | | | |
| TOLERANCES ARE ±0.5 AND ANGLES ARE ±3° | | | | Changzhou Shenghui Electronic Co.,Ltd Tel:+86 519 85118108 Fax:+86 519 85108596 sales@shenghui.com http://www.shenghui.com | | | |