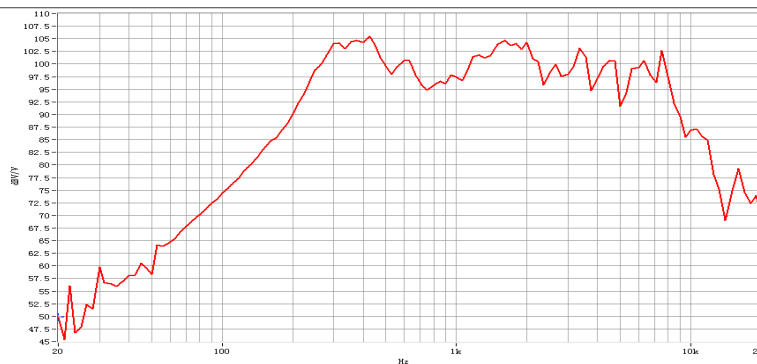


SPECIFICATIONS

| | |
|--|--|
| Dimension (mm) | 70*21H |
| Input Power (W) | 0.5 W |
| Max. Input Power (W) | 1.0 W |
| Impedance (Ω) | $40 \pm 15\%$ at 1kHz |
| Sensitivity (dB) | $95 \pm 3\text{dB}$ (0.1W/0.1M) average of 0.8, 1.0, 1.2, 1.5 KHz |
| Frequency Rang (Hz) | Fo-10KHz |
| Operating temperature ($^{\circ}\text{C}$) | -20~+55 |
| Resonance Frequency (Hz) | $300 \pm 20\%$ at 1KHz 1V |

CHARACTERISTICS:



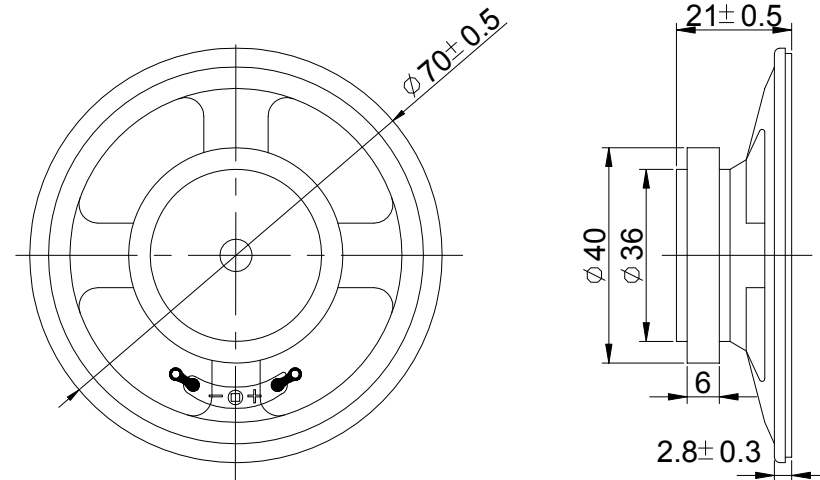
NOTES:

1. ALL DIMENSIONS ARE IN MILLIMETERS.
2. SPECIFICATIONS SUBJECT TO CHANGE OR WITHDRAWAL WITHOUT NOTICE.
3. THIS PART IS ROHS 2002/95/EC COMPLIANT.

REVISION HISTORY

| LTR | DESCRIPTION | DATE | APPROVED |
|-----|-------------|------|----------|
| | | | |
| | | | |
| | | | |

DIMENSION:



| | | | | | | |
|---|-------------|---------------|------------|---|-------------|------|
| UNLESS OTHERWISE SPECIFIED | DESIGNED BY | DATE | CHECKED BY | DATE | APPROVED BY | DATE |
| | | | | | | |
| DIMENSIONS ARE IN MILLIMETERS | SIZE A4 | Mylar Speaker | | SN70S005-A | | |
| TOLERANCES ARE ± 0.5 AND ANGLES ARE $\pm 3^{\circ}$ | | | | Changzhou Shenghui Electronic Co.,Ltd Tel:+86 519 85118108 Fax:+86 519 85108596 sales@shenghui.com http://www.shenghui.com | | |