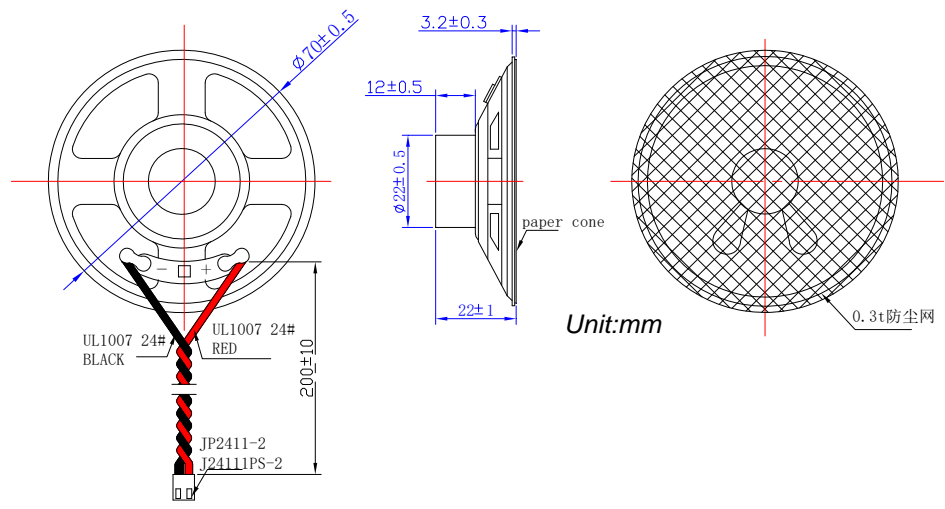


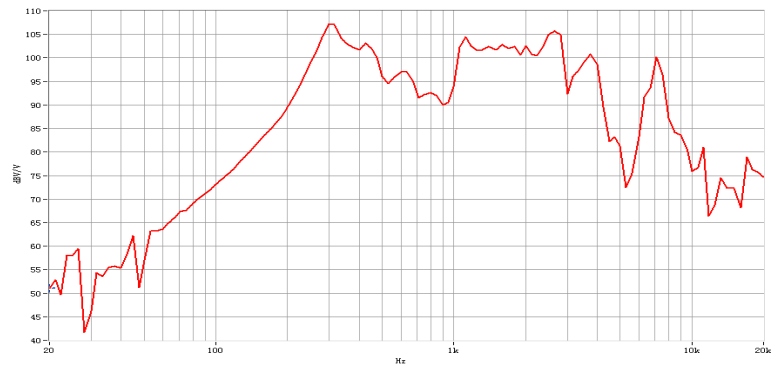
SPECIFICATIONS		
Dimension (mm)		Φ 70*22H
Input Power (W)		0.3 W
Max. Input Power (W)		0.5 W
Impedance (Ω)		40 ± 15% at 1kHz
Sensitivity (dB)		95 ± 3dB(0.1W/0.1M) average of 0.8, 1.0, 1.2, 1.5 KHz
Frequency Rang (Hz)		Fo-5KHz
Operating temperature (°C)		-20~+55
Resonance Frequency (Hz)		330 ± 20% at 1KHz 1V

REVISION HISTORY			
LTR	DESCRIPTION	DATE	APPROVED

**DIMENSION:**



**CHARACTERISTICS:**



**NOTES:**

1. ALL DIMENSIONS ARE IN MILLIMETERS.
2. SPECIFICATIONS SUBJECT TO CHANGE OR WITHDRAWAL WITHOUT NOTICE.
3. THIS PART IS ROHS 2002/95/EC COMPLIANT.

UNLESS OTHERWISE SPECIFIED	<b>SIZE</b> <b>A4</b>	Designed by	Date	Checked by	Date	Approved by	Date
DIMENSIONS ARE IN MILLIMETERS		<b>Multimedia Speaker</b>		<b>SN70S202L200-40R-F</b>			
TOLERANCES ARE ±0.5 AND ANGLES ARE ±3°				<b>Changzhou Shenghui Electronic Co.,Ltd</b> Tel:+86 519 85118108 Fax:+86 519 85108596 sales@shenghui.com http://www.shenghui.com			