

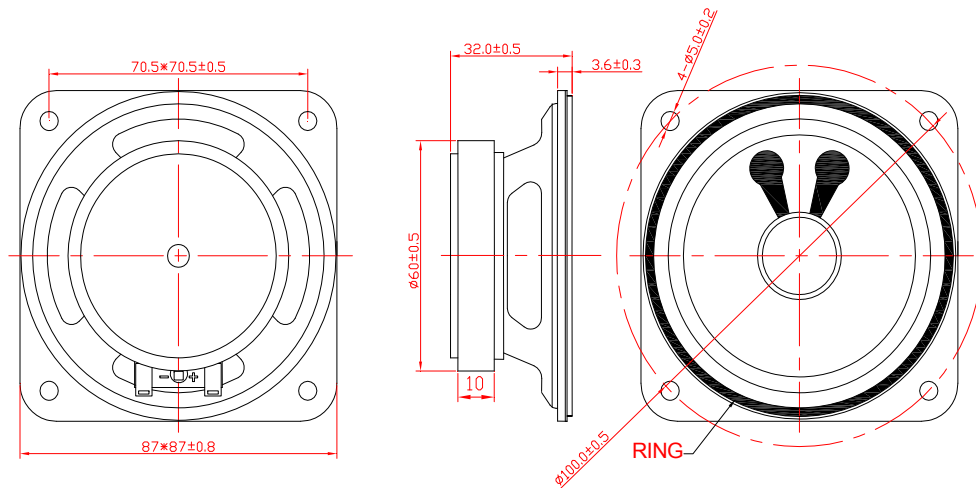
### SPECIFICATIONS

Dimension (mm)	87*87*32.0H	
Input Power (W)	4.0 W	
Max. Input Power (W)	6.0 W	
Impedance ( $\Omega$ )	$8 \pm 15\%$ at 1kHz	
Sensitivity (dB)	$97 \pm 3\text{dB}$ (0.1W/0.1M) average of 1.0, 1.4, 1.7, 2.0 KHz	
Frequency Rang (Hz)	Fo-5KHz	
Operating temperature ( $^{\circ}\text{C}$ )	$-20 \sim +55$	
Resonance Frequency (Hz)	$600 \pm 20\%$ at 1KHz 1V	

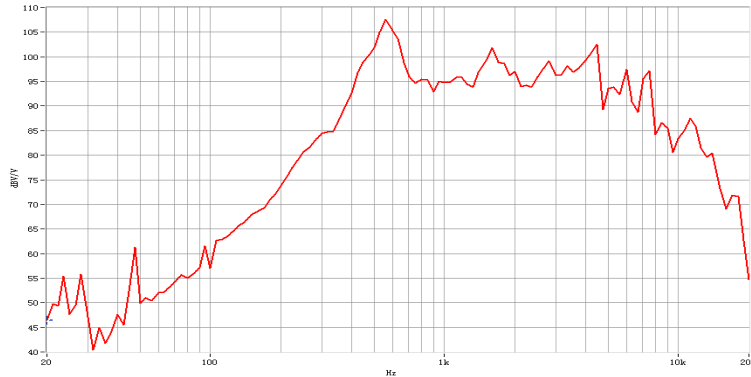
### REVISION HISTORY

LTR	DESCRIPTION	DATE	APPROVED

### DIMENSION:



### CHARACTERISTICS:



### NOTES:

1. ALL DIMENSIONS ARE IN MILLIMETERS.
2. SPECIFICATIONS SUBJECT TO CHANGE OR WITHDRAWAL WITHOUT NOTICE.
3. THIS PART IS ROHS 2002/95/EC COMPLIANT.

UNLESS OTHERWISE SPECIFIED

DIMENSIONS ARE IN MILLIMETERS

TOLERANCES ARE  $\pm 0.5$  AND ANGLES ARE  $\pm 3^{\circ}$

SIZE  
A4

Designed by	Date	Checked by	Date	Approved by	Date

Mylar Speaker

SN87S002-A



Changzhou Shenghui Electronic Co.,Ltd  
Tel:+86 519 85118108 Fax:+86 519 85108596  
sales@shenghui.com http://www.shenghui.com