

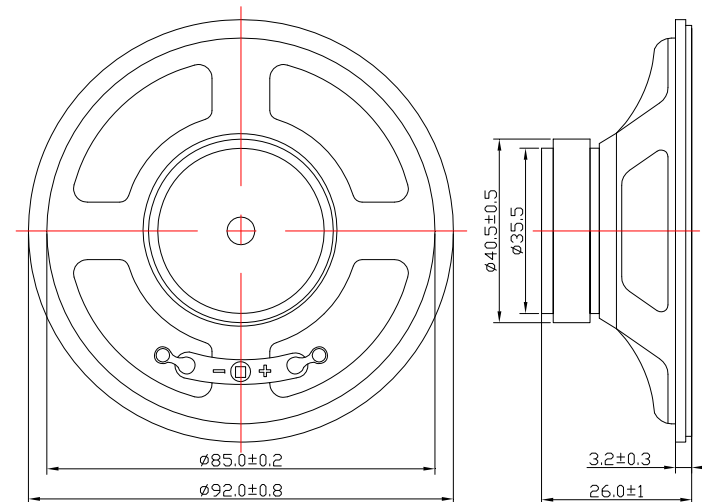
SPECIFICATIONS

Dimension (mm)	D92*26H	
Input Power (W)	1.0 W	
Max. Input Power (W)	2.0 W	
Impedance (Ω)	45 \pm 15% at 1kHz	
Sensitivity (dB)	96 \pm 3dB(0.1W/0.1M) average of 0.8, 1.0, 1.2, 1.5 KHz	
Frequency Rang (Hz)	Fo-10KHz	
Operating temperature ($^{\circ}$ C)	-20 \sim +55	
Resonance Frequency (Hz)	200 \pm 20% at 1KHz 1V	

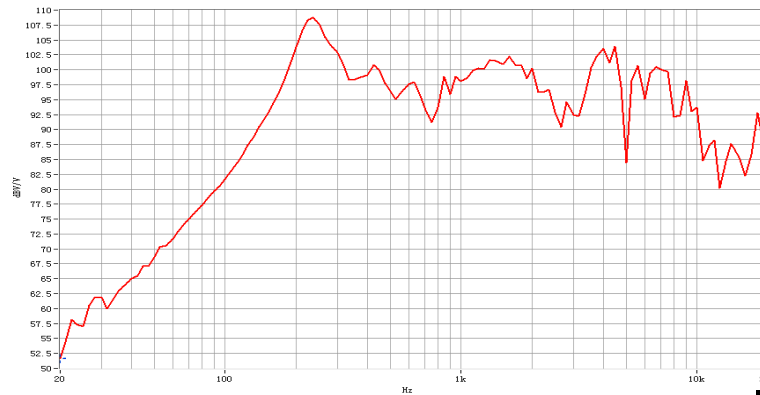
REVISION HISTORY

LTR	DESCRIPTION	DATE	APPROVED

DIMENSION:



CHARACTERISTICS:



NOTES:

1. ALL DIMENSIONS ARE IN MILLIMETERS.
2. SPECIFICATIONS SUBJECT TO CHANGE OR WITHDRAWAL WITHOUT NOTICE.
3. THIS PART IS ROHS 2002/95/EC COMPLIANT.

UNLESS OTHERWISE SPECIFIED

DIMENSIONS ARE IN MILLIMETERS

TOLERANCES ARE \pm 0.5 AND ANGLES ARE \pm 3 $^{\circ}$

SIZE
A4

Designed by	Date	Checked by	Date	Approved by	Date

Multimedia Speaker

SN92S100-45R-F



Changzhou Shenghui Electronic Co.,Ltd
Tel:+86 519 85118108 Fax:+86 519 85108596
sales@shenghui.com http://www.shenghui.com