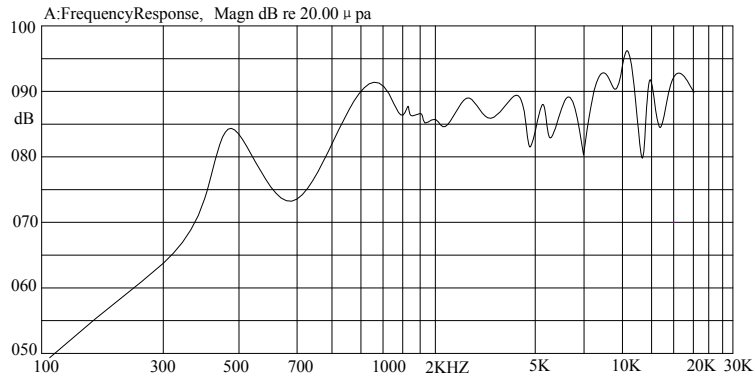


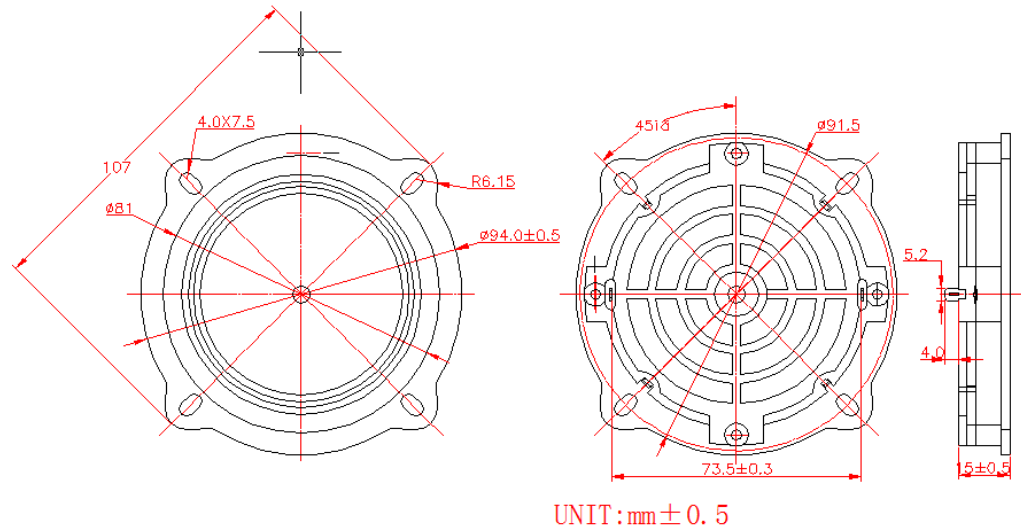
SPECIFICATIONS		
Rated Voltage	(Vp-p)	18
Operating Voltage	(Vp-p)	2~50
Rated Current	(mA)	MAX.10.0
Sound Output at 10m 2.83V	(dBA)	MIN.92
Static Capacitance At 120Hz	(uF)	1.5±30%
Resonant Frequency	(Hz)	500-20000
Operating Temperature	(°C)	-20~+70
Storage Temperature	(°C)	-30~+80
Housing material		MPPO
Weight		31.5

REVISION HISTORY			
LTR	DESCRIPTION	DATE	APPROVED

**CHARACTERISTICS:**



**DIMENSION:**



**NOTES:**

1. ALL DIMENSIONS ARE IN MILLIMETERS.
2. SPECIFICATIONS SUBJECT TO CHANGE OR WITHDRAWAL WITHOUT NOTICE.
3. THIS PART IS ROHS 2002/95/EC COMPLIANT.

UNLESS OTHERWISE SPECIFIED	SIZE	Designed by	Date	Checked by	Date	Approved by	Date
		Piezo Speaker		SP94S001P-F			
DIMENSIONS ARE IN MILLIMETERS	A4						
TOLERANCES ARE ±0.5 AND ANGLES ARE ±3°		<b>Changzhou Shenghui Electronic Co.,Ltd</b> Tel:+86 519 85118108 Fax:+86 519 85108596 sales@shenghui.com http://www.shenghui.com					