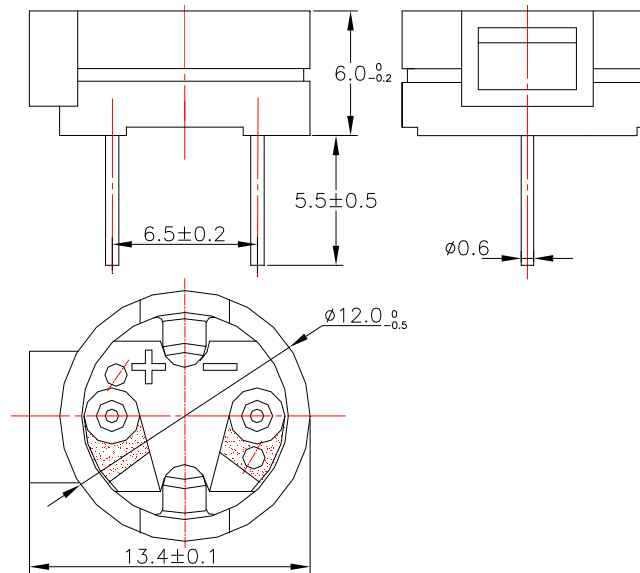


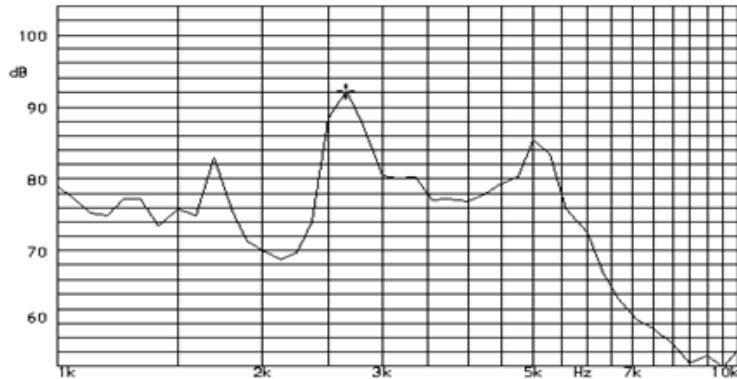
SPECIFICATIONS		
Rated Voltage	(Vo-p)	1.5
Operating Voltage	(Vo-p)	1~2
Rated Current	(mA)	MAX.80
Sound Output at 10cm	(dBA)	MIN.85
Coil Resistance	(Ω)	6.5±1
Resonant Frequency	(Hz)	2731
Operating Temperature	(°C)	-30~+70
Storage Temperature	(°C)	-40~+80
Housing material		MPPO
Weight	(g)	1.9

REVISION HISTORY			
LTR	DESCRIPTION	DATE	APPROVED

DIMENSION:



: CHARACTERISTICS



NOTES:

1. ALL DIMENSIONS ARE IN MILLIMETERS.
2. SPECIFICATIONS SUBJECT TO CHANGE OR WITHDRAWAL WITHOUT NOTICE.
3. THIS PART IS ROHS 2002/95/EC COMPLIANT.

UNLESS OTHERWISE SPECIFIED	DESIGNED BY	DATE	CHECKED BY	DATE	APPROVED BY	DATE
DIMENSIONS ARE IN MILLIMETERS	SIZE A4	Magnetic Transduce		MES12060-6.5R(1.5V)-2731-F		
TOLERANCES ARE ±0.5 AND ANGLES ARE ±3°				Changzhou Shenghui Electronic Co.,Ltd Tel:+86 519 85118108 Fax:+86 519 85108596 sales@shenghui.com http://www.shenghui.com		