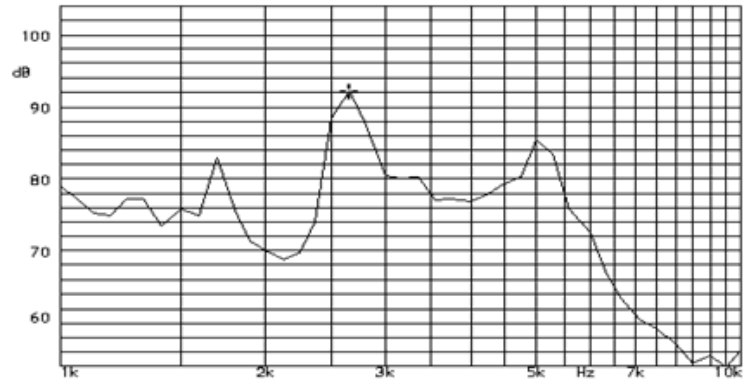


SPECIFICATIONS		
Rated Voltage	(Vo-p)	1.5
Operating Voltage	(Vo-p)	1~2
Rated Current	(mA)	MAX.80
Sound Output at 10cm	(dBA)	MIN.90
Coil Resistance	(Ω)	6.5±1
Resonant Frequency	(Hz)	2731
Operating Temperature	(°C)	-30~+70
Storage Temperature	(°C)	-40~+80
Housing material		MPPO
Weight	(g)	2.0

REVISION HISTORY			
LTR	DESCRIPTION	DATE	APPROVED

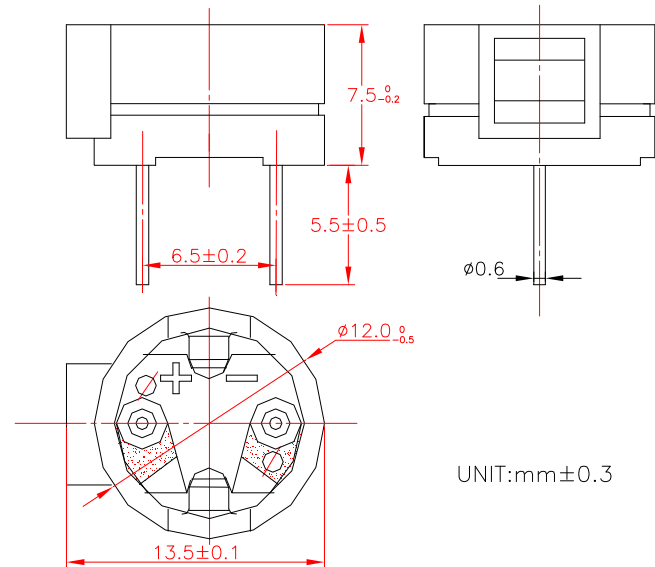
CHARACTERISTICS



NOTES:

1. ALL DIMENSIONS ARE IN MILLIMETERS.
2. SPECIFICATIONS SUBJECT TO CHANGE OR WITHDRAWAL WITHOUT NOTICE.
3. THIS PART IS ROHS 2002/95/EC COMPLIANT.

DIMENSION:



UNIT:mm±0.3

UNLESS OTHERWISE SPECIFIED	SIZE	Designed by	Date	Checked by	Date	Approved by	Date
		Magnetic Transduce		MES12075-6.5R(1.5V)-2731-F			
DIMENSIONS ARE IN MILLIMETERS	A4			Changzhou Shenghui Electronic Co.,Ltd Tel:+86 519 85118108 Fax:+86 519 85108596 sales@shenghui.com http://www.shenghui.com			
TOLERANCES ARE ±0.5 AND ANGLES ARE±3°							