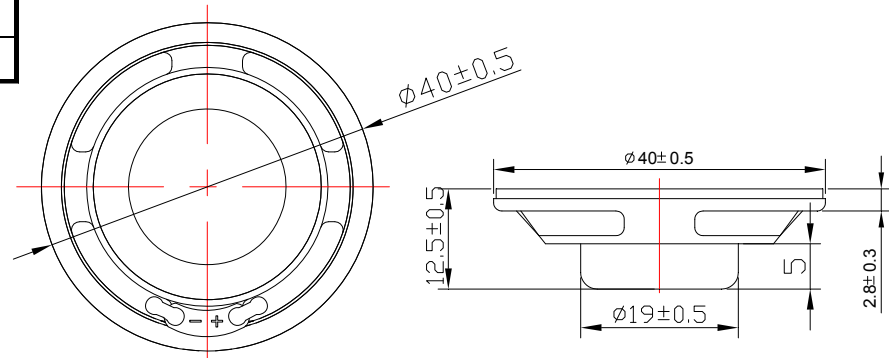


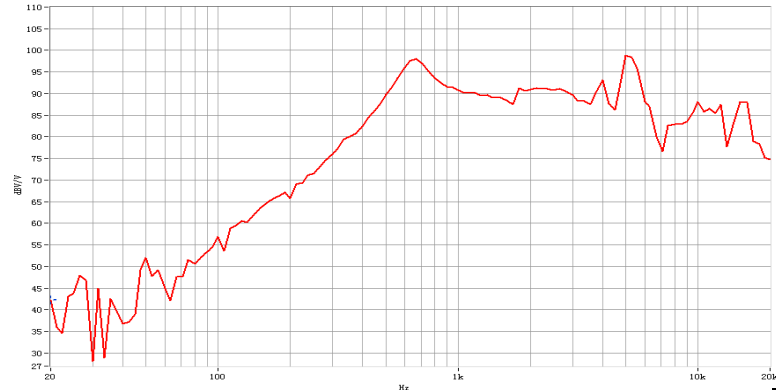
SPECIFICATIONS		
Dimension (mm)		Φ40*12.5H
Input Power (W)		0.25W
Max. Input Power (W)		0.5W
Impedance (Ω)		40± 15% at 1kHz
Sensitivity (dB)		92± 3dB(0.1W/0.1m) average of 0.8,1.0,1.2,1.5 KHz
Frequency Rang (Hz)		Fo-5KHz
Operating temperature (°C)		-20~+55
Resonance Frequency (Hz)		650±20% at 1KHz 1V

REVISIONHISTORY			
LTR	DESCRIPTION	DATE	APPROVED

DIMENSION:



CHARACTERISTICS:



NOTES:

1. ALL DIMENSIONS ARE IN MILLIMETERS.
2. SPECIFICATIONS SUBJECT TO CHANGE OR WITHDRAWL WITHOUT NOTICE.
3. THIS PART IS ROHS 2002/95/EC COMPLIANT.

UNLESS OTHERWISE SPECIFIED	SIZE A4	Designed by	Date	Checked by	Date	Approved by	Date
DIMENSIONS ARE IN MILLIMETERS		Mylar Speaker		SN40S004-40R-A-F			
TOLERANCES ARE ±0.5 AND ANGLES ARE ±3°				Changzhou Shenghui Electronic Co.,Ltd Tel:+86 519 85118108 Fax:+86 519 85108596 sales@shenghui.com http://www.shenghui.com			