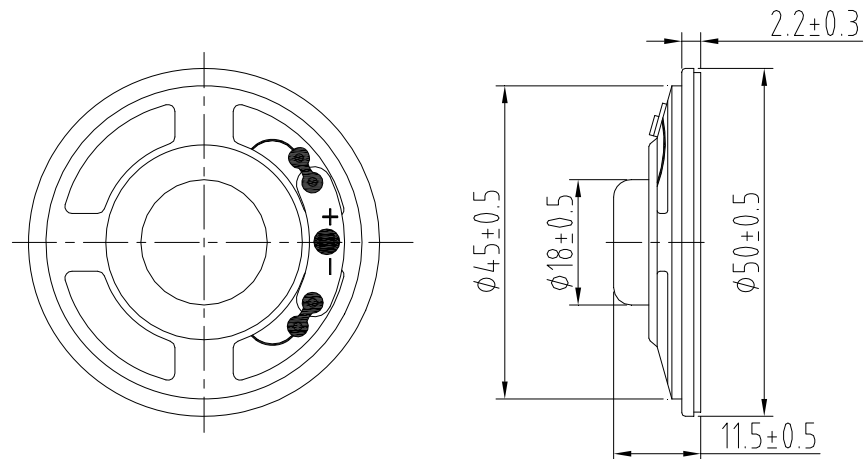


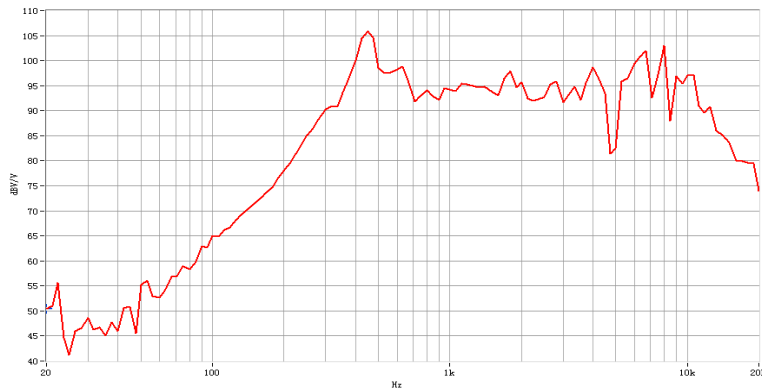
SPECIFICATIONS		
Dimension (mm)		$\phi 50 \times 11.5H$
Input Power (W)		1.0 W
Max. Input Power (W)		1.5W
Impedance (Ω)		$8 \pm 15\%$ at 1kHz
Sensitivity (dB)		$94 \pm 3dB(0.1W/0.1M)$ average of 0.8, 1.0, 1.2, 1.5 KHz
Frequency Rang (Hz)		Fo-5KHz
Operating temperature ($^{\circ}C$)		$-20 \sim +55$
Resonance Frequency (Hz)		$550 \pm 20\%$ at 1KHz 1V

REVISIONHISTORY			
LTR	DESCRIPTION	DATE	APPROVED

DIMENSION:



CHARACTERISTICS:



NOTES:

1. ALL DIMENSIONS ARE IN MILLIMETERS.
2. SPECIFICATIONS SUBJECT TO CHANGE OR WITHDRAWAL WITHOUT NOTICE.
3. THIS PART IS ROHS 2002/95/EC COMPLIANT.

UNLESS OTHERWISE SPECIFIED	SIZE A4	Designed by	Date	Checked by	Date	Approved by	Date
DIMENSIONS ARE IN MILLIMETERS		Multimedia Speaker		SN50S013-F			
TOLERANCES ARE ± 0.5 AND ANGLES ARE $\pm 3^{\circ}$				Changzhou Shenghui Electronic Co.,Ltd Tel:+86 519 85118108 Fax:+86 519 85108596 sales@shenghui.com http://www.shenghui.com			