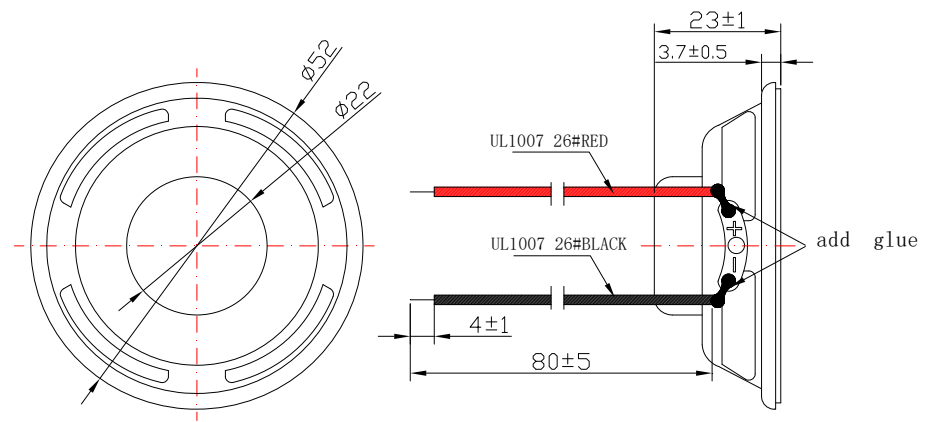


SPECIFICATIONS		
Dimension (mm)		Φ52*23H
Input Power (W)		1.0W
Max. Input Power (W)		2.0W
Impedance (Ω)		4 ± 15% at 1kHz
Sensitivity (dB)		85± 3dB(0.1W/0.1m) average of 0.8,1.0,1.2,1.5 KHz
Frequency Rang (Hz)		Fo-20KHz
Operating temperature (°C)		-20~+55
Resonance Frequency (Hz)		160±20% at 1KHz 1V

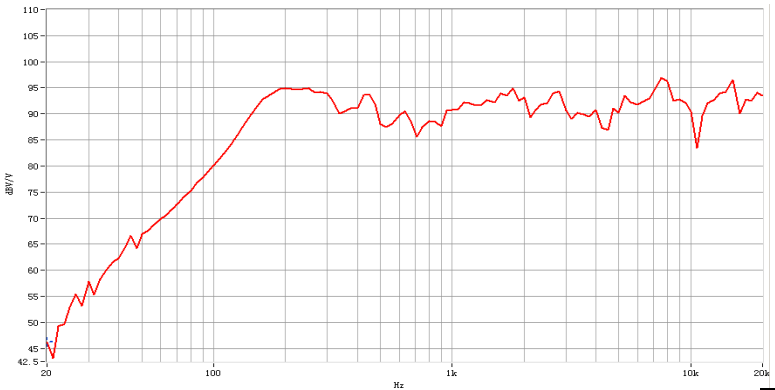
REVISIONHISTORY			
LTR	DESCRIPTION	DATE	APPROVED

**DIMENSION:**



**Unit:mm Tol:±0.5**

**CHARACTERISTICS:**



**NOTES:**

- 1.ALL DIMENSIONS ARE IN MILLIMETERS.
- 2.SPECIFICATIONS SUBJECT TO CHANGE OR WITHDRAWL WITHOUT NOTICE.
- 3.THIS PART IS ROHS 2002/95/EC COMPLIANT.

UNLESS OTHERWISE SPECIFIED	<b>SIZE</b>  <b>A4</b>	Designed by	Date	Checked by	Date	Approved by	Date
		<b>Multimedia Speaker</b>		<b>SN52S002L-4R-F</b>			
				<b>Changzhou Shenghui Electronic Co.,Ltd</b> Tel:+86 519 85118108 Fax:+86 519 85108596 sales@shenghui.com http://www.shenghui.com			