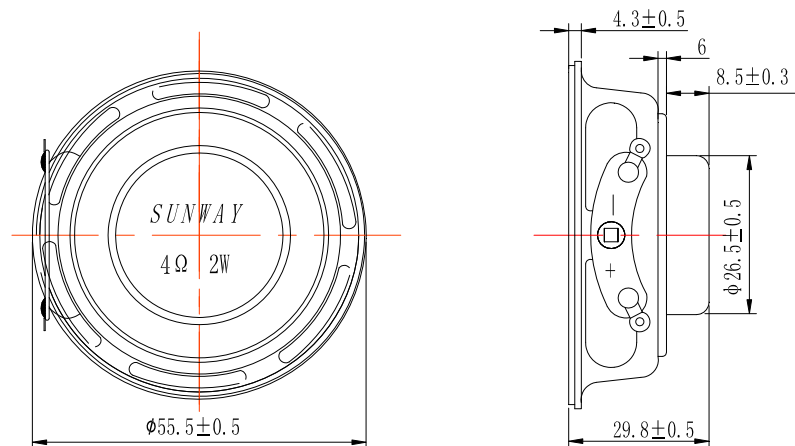


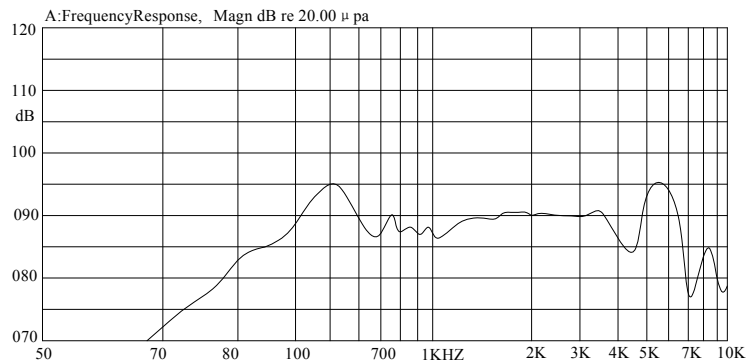
SPECIFICATIONS		
Dimension (mm)		Φ55.5*30H
Input Power (W)		2.0W
Max. Input Power (W)		3.0W
Impedance (Ω)		4± 15% at 1kHz
Sensitivity (dB)		88± 3dB(0.1W/0.1m) average of 0.8,1.0,1.2,1.5 KHz
Frequency Rang (Hz)		Fo-20KHz
Operating temperature (°C)		-20~+55
Resonance Frequency (Hz)		160±20% at 1KHz 1V

REVISIONHISTORY			
LTR	DESCRIPTION	DATE	APPROVED

DIMENSION:



CHARACTERISTICS:



NOTES:

- 1.ALL DIMENSIONS ARE IN MILLIMETERS.
- 2.SPECIFICATIONS SUBJECT TO CHANGE OR WITHDRAWL WITHOUT NOTICE.
- 3.THIS PART IS ROHS 2002/95/EC COMPLIANT.

UNLESS OTHERWISE SPECIFIED	SIZE A4	Designed by	Date	Checked by	Date	Approved by	Date
DIMENSIONS ARE IN MILLIMETERS		Multimedia Speaker		SN55S200-4R-F			
TOLERANCES ARE ±0.5 AND ANGLES ARE ±3°				Changzhou Shenghui Electronic Co.,Ltd Tel:+86 519 85118108 Fax:+86 519 85108596 sales@shenghui.com http://www.shenghui.com			