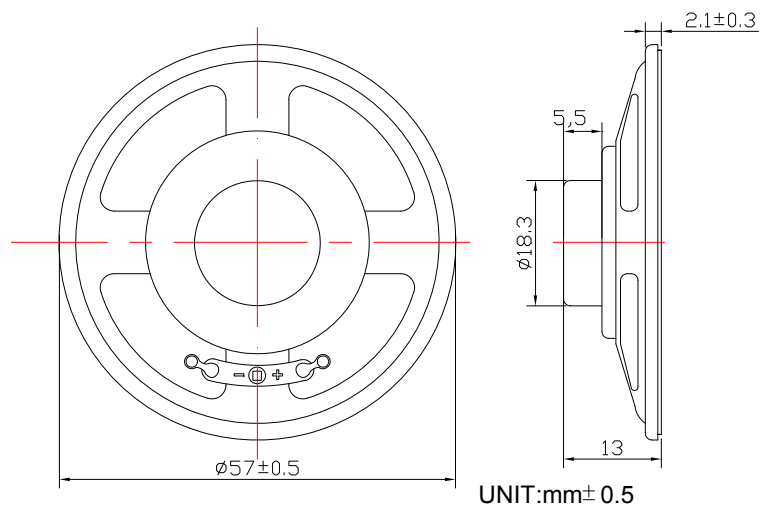


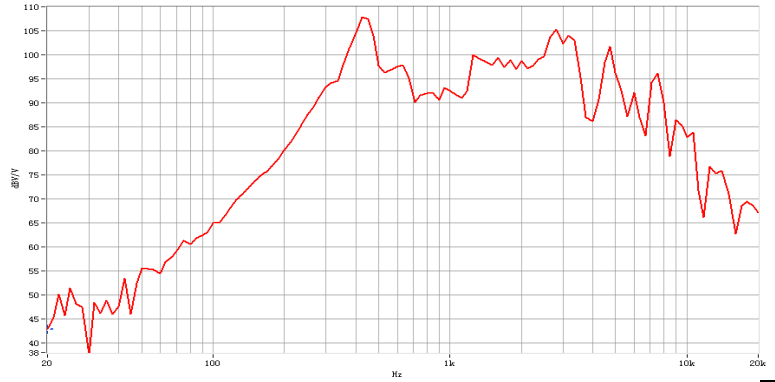
SPECIFICATIONS		
Dimension	(mm)	Φ57*13
Input Power	(W)	0.5 W
Max. Input Power	(W)	1.0 W
Impedance	(Ω)	8± 20% at 1kHz
Sensitivity	(dB)	93± 3dB(0.1W/0.1M) average of 0.5, 0.6, 0.8, 1.0 KHz
Frequency Rang	(Hz)	Fo-5KHz
Operating temperature	(°C)	-20~+55
Resonance Frequency	(Hz)	450±20% at 1KHz 1V

REVISIONHISTORY			
LTR	DESCRIPTION	DATE	APPROVED

DIMENSION:



CHARACTERISTICS:



NOTES:

- 1.ALL DIMENSIONS ARE IN MILLIMETERS.
- 2.SPECIFICATIONS SUBJECT TO CHANGE OR WITHDRAWL WITHOUT NOTICE.
- 3.THIS PART IS ROHS 2002/95/EC COMPLIANT.

UNLESS OTHERWISE SPECIFIED	SIZE A4	Designed by	Date	Checked by	Date	Approved by	Date
DIMENSIONS ARE IN MILLIMETERS		Mylar Speaker		SN57S013-F			
TOLERANCES ARE ±0.5 AND ANGLES ARE ±3°				Changzhou Shenghui Electronic Co.,Ltd Tel:+86 519 85118108 Fax:+86 519 85108596 sales@shenghui.com http://www.shenghui.com			