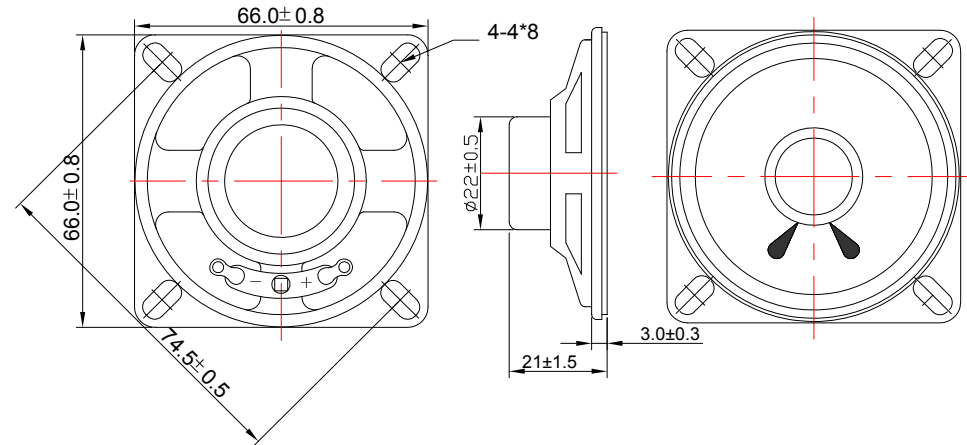


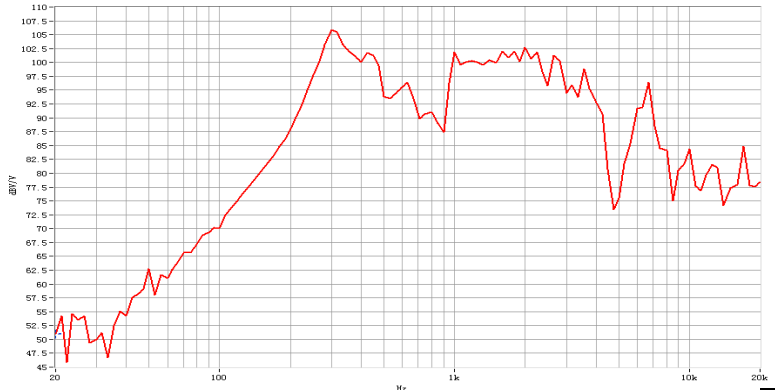
| SPECIFICATIONS | | |
|---------------------------------------|--|-----------------------------------------------------------|
| Dimension (mm) | | 66.0*66.0*21H |
| Input Power (W) | | 0.5W |
| Max. Input Power (W) | | 1.0W |
| Impedance (Ω) | | 8 \pm 15% at 1kHz |
| Sensitivity (dB) | | 93 \pm 3Db(0.1W/0.1M) average of 0.8,1.0,1.2,1.5 KHz |
| Frequency Rang (Hz) | | Fo-5KHz |
| Operating temperature ($^{\circ}$ C) | | -20~+55 |
| Resonance Frequency (Hz) | | 350 \pm 20% at 1KHz 1V |

| REVISIONHISTORY | | | |
|-----------------|-------------|------|----------|
| LTR | DESCRIPTION | DATE | APPROVED |
| | | | |
| | | | |
| | | | |

DIMENSION:



CHARACTERISTICS:



NOTES:

1. ALL DIMENSIONS ARE IN MILLIMETERS.
2. SPECIFICATIONS SUBJECT TO CHANGE OR WITHDRAWL WITHOUT NOTICE.
3. THIS PART IS ROHS 2002/95/EC COMPLIANT.

| | | | | | | | |
|------------------------------------------------------------|-------------------|---------------------------|------|-----------------------------------------------------------------------------------------------------------------------------------------|------|-------------|------|
| UNLESS OTHERWISE SPECIFIED | SIZE A4 | Designed by | Date | Checked by | Date | Approved by | Date |
| DIMENSIONS ARE IN MILLIMETERS | | Multimedia Speaker | | SN666S252-8R-F | | | |
| TOLERANCES ARE \pm 0.5 AND ANGLES ARE \pm 3 $^{\circ}$ | | | | Changzhou Shenghui Electronic Co.,Ltd Tel:+86 519 85118108 Fax:+86 519 85108596 sales@shenghui.com http://www.shenghui.com | | | |