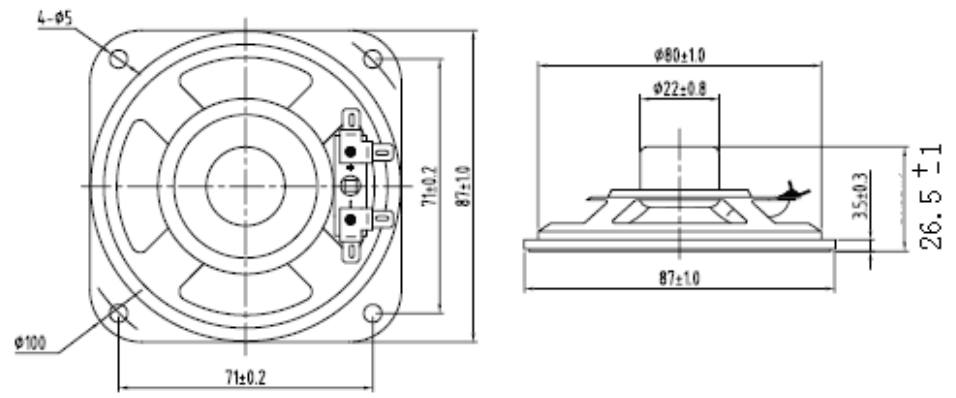


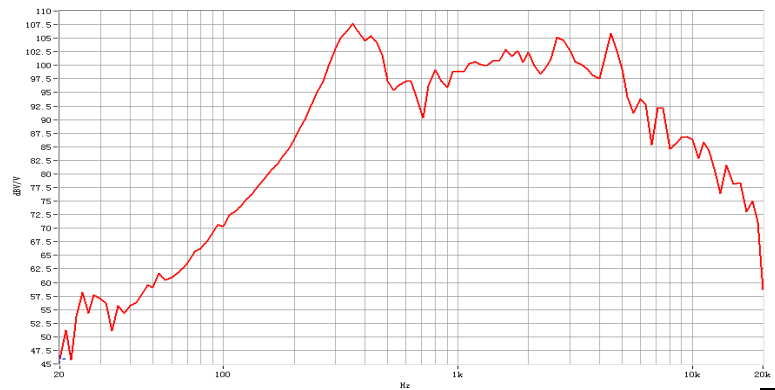
SPECIFICATIONS		
Dimension (mm)		87*87*26.5H
Input Power (W)		0.5 W
Max. Input Power (W)		1.0 W
Impedance (Ω)		$45 \pm 20\%$ at 1kHz
Sensitivity (dB)		$94 \pm 3\text{dB}$ (0.1W/0.1M) average of 0.8, 1.0, 1.2, 1.5 KHz
Frequency Rang (Hz)		Fo-8KHz
Operating temperature ($^{\circ}\text{C}$)		$-20 \sim +55$
Resonance Frequency (Hz)		$350 \pm 20\%$ at 1KHz 1V

REVISIONHISTORY			
LTR	DESCRIPTION	DATE	APPROVED

DIMENSION:



CHARACTERISTICS:



NOTES:

1. ALL DIMENSIONS ARE IN MILLIMETERS.
2. SPECIFICATIONS SUBJECT TO CHANGE OR WITHDRAWL WITHOUT NOTICE.
3. THIS PART IS ROHS 2002/95/EC COMPLIANT.

UNLESS OTHERWISE SPECIFIED	SIZE A4	Designed by	Date	Checked by	Date	Approved by	Date
DIMENSIONS ARE IN MILLIMETERS		Multimedia Speaker		SN87S007-45R-F			
TOLERANCES ARE ± 0.5 AND ANGLES ARE $\pm 3^{\circ}$				Changzhou Shenghui Electronic Co.,Ltd Tel:+86 519 85118108 Fax:+86 519 85108596 sales@shenghui.com http://www.shenghui.com			